



GUANGDONG CHIGO HEATING & VENTILATION EQUIPMENT CO., LTD.

Address : Helangsha , Chigo Industrial District, Lishui, Nanhai, Foshan,
Guangdong, China P.C:528244

Tel : 86-757-88781037 Fax : 86-757-88789825

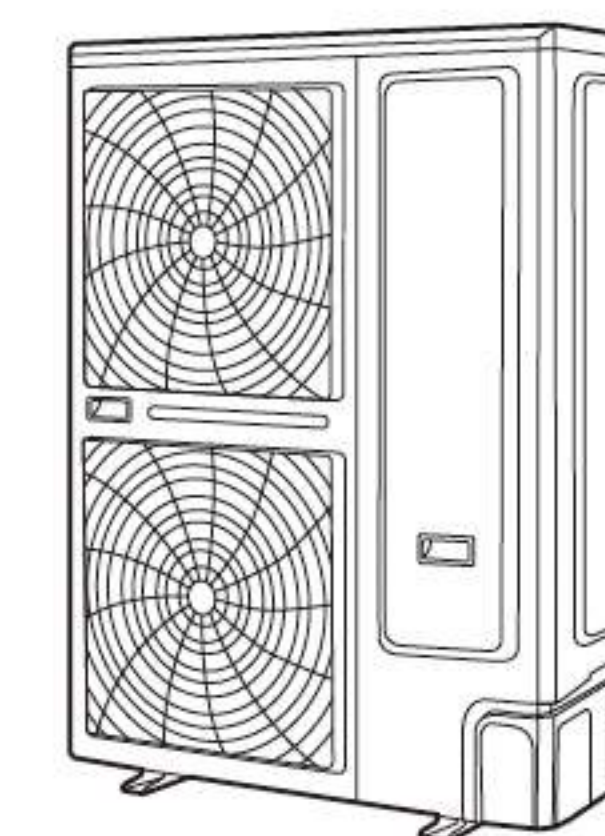
E-mail : isc@chigo-cac.com

Web : www.chigo-cac.com

Note:All the data in this book maybe changed without notice
for further improvement on quality and performance.



2018 50Hz LIGHT COMMERCIAL Air Conditioner





CHIGO GROUP

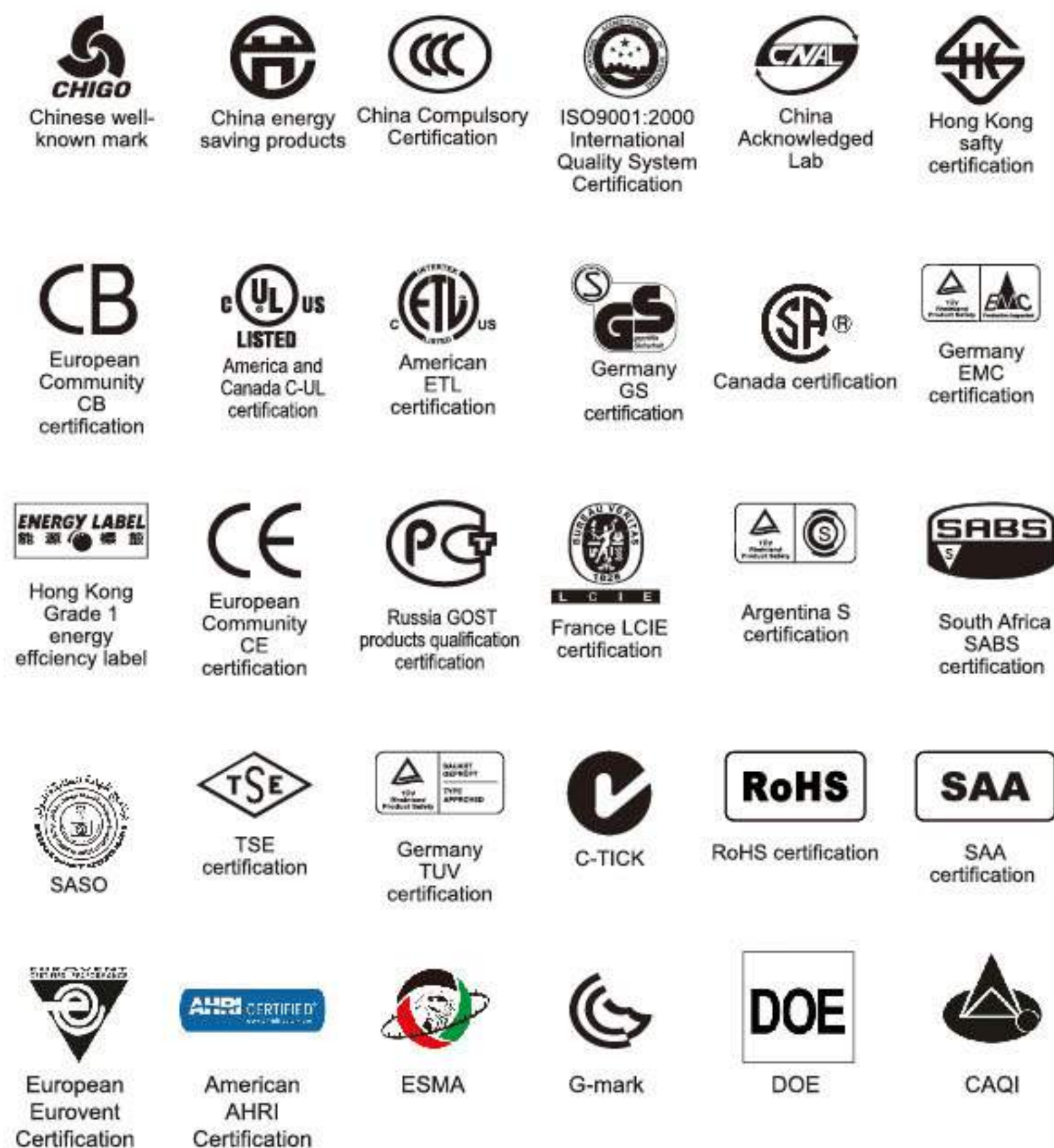
GUANGDONG CHIGO AIR CONDITIONING CO.,LTD(Listed Member of Groups, Stock Code:449.HK)established in 1994, a modern professional AC manufacturer with a business line of designing, R&D,manufacturing as well as distributing both residential and commercial AC domestically and internationally.

As one of the biggest AC manufactures in the world, CHIGO's designed annual output are 10 million sets,which include complete series of AC products. We are one of the most complete refrigeration industrial chain. All-in-one production strategy has capacities to meet different customers' demands.

CHIGO's annual growth rate is being top all over the AC industry and CHIGO win various strict certificates in all important market. CHIGO has spread its network over 180 countries and regions worldwide.

We have invested large amount of resources to establish advanced reliability labs. CHIGO imposes more stringent pursuit and controls over the quality of finished products.By the highly precise enthalpy difference lab, well-known B&K noise testing device, Switzerland SCHAFFNER EMC device, CHIGO ensure the quality of finished products with those scientificness of every process.

CHIGO is trying hard to be global customer's favorite brand. Through continuous improvement of the product quality and standing with the global partners, we are committed to advocate the low-carbon lifestyle, improve the environment and the life of people.





Development History

THE CHIGO HEATING & VENTILATION EQUIPMENT CO., LTD.

Chigo Central Air-conditioning established in 2002, which belongs to GUANGDONG CHIGO AIR CONDITIONING CO.,LTD, a professional Central AC equipment manufacturing and supplying enterprises, with a net of R&D, production,manufacturing, sales, design, installation and service.

To "Be Professional Central Air-conditioning Supplier", Chigo Central Air-conditioning dedicate to research,design,manuf- acture and sale Central Air-conditioning. During 14 years developing, it has formed an annual production capacity of 1,000,000 sets, and become the most complete refrigeration industrial chain in China. All-in-one Production strategy can meet the various market demand and enable CHIGO to be the biggest scale, the width product line, the most complete product series central air-conditioning enterprise in China.

Chigo Central Air-conditioning marketing net have covered more than 150 countries and regions all over the world, and set agencies at 31 provinces in China. It has many senior engineers to provide professional design and appropriate service for customers.





Testing Center

The Testing Center is a comprehensive, multi-functional laboratory, mainly used to engage residential and commercial air-conditioner's performance, safety, reliability and authentication testing. It takes 6000 square meters, 50 million RMB permanent assets.

It has 9 Air-enthalpy Labs, 3 Condition operating labs, 1 Noise Testing Lab, 2 Long-term Operating Labs, Security Structure Analysis Lab, Air Volume Lab; and labs in planning, EMC, Wet State, Thermal Equilibrium, Capacity Testing and so on.



Chinese Energy Efficiency Label Management Center's Verification.



Long-term Cooperation with Professional Certification Test Organization.



World-class Professional HR.



Denmark B&K 3560 Acoustics and Vibration Noise Test Analysis System.



15 Engineers, all had got professional training before commencement.

Directory

- 01 Contents
- 03 How to Read the models
- 04 **ON/OFF Light Commercial Universal Outdoor Unit**
 - 4-way Cassette (Compact) Unit
 - 4-way Cassette Unit
 - Round-flow Cassette
 - Floor & Ceiling Unit
 - Low ESP Short Ducted Unit
 - Medium ESP Ducted Unit
 - High ESP Ducted Type Unit
- 25 **8/10HP Outdoor Unit**
- 27 **70K / 96K Btu/h Floor-standing Indoor Unit**
- 29 **96K Btu/h High ESP Ducted Indoor Unit**
- 31 **Compressor Condensing Unit(CCU)**
- 33 **DC Inverter Light Commercial Universal Outdoor Unit**
 - 4-way Cassette Unit
 - Floor & Ceiling Unit
 - Low ESP Short Ducted Unit
 - Medium ESP Ducted Unit
 - High ESP Ducted Type Unit
- 45 **DC Inverter Multi Split Unit**
- 49 **Rooftop Package Unit**

Contents

ON /OFF Light Commercial

Capacity(Btu/h)	9,000	12,000	18,000	24,000	36,000	48,000	60,000
Compact 4-way Cassette Unit							
4-way Cassette Unit							
Floor-ceiling Unit							
Low ESP Short Ducted Unit							
Medium ESP Ducted Unit							
High ESP Ducted Unit							
Outdoor Unit							

8/10 HP Unit

Capacity(Btu/h)	70,000		96,000		
	Floor Standing	Outdoor	Floor Standing	High ESP Duct	Outdoor
High ESP Duct Floor Standing					

Compressor Condensing Unit(CCU)

Capacity(Btu/h)	18,000	24,000	36,000	48,000	60,000	96,000	150,000
Compressor Condensing Unit							

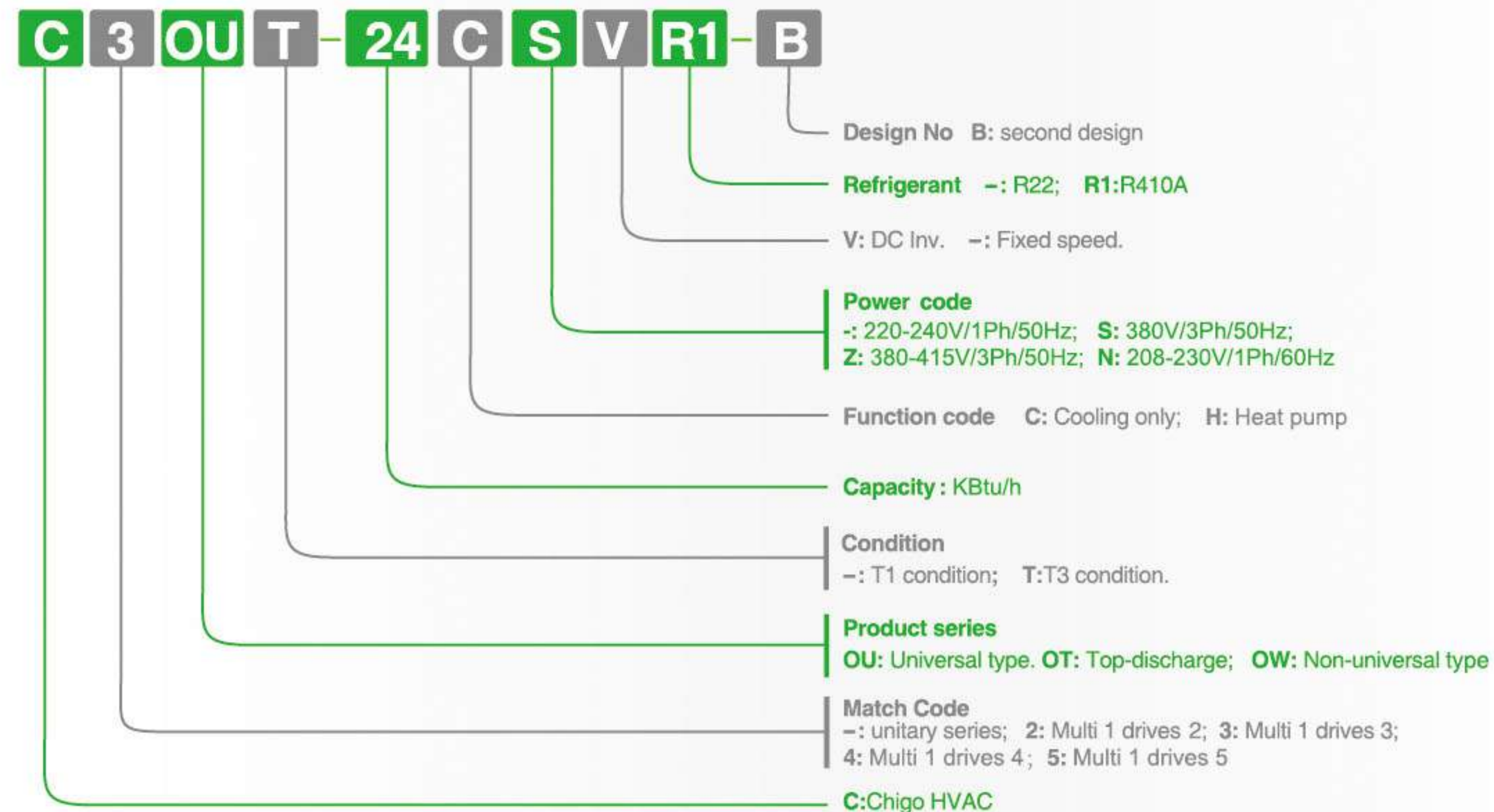
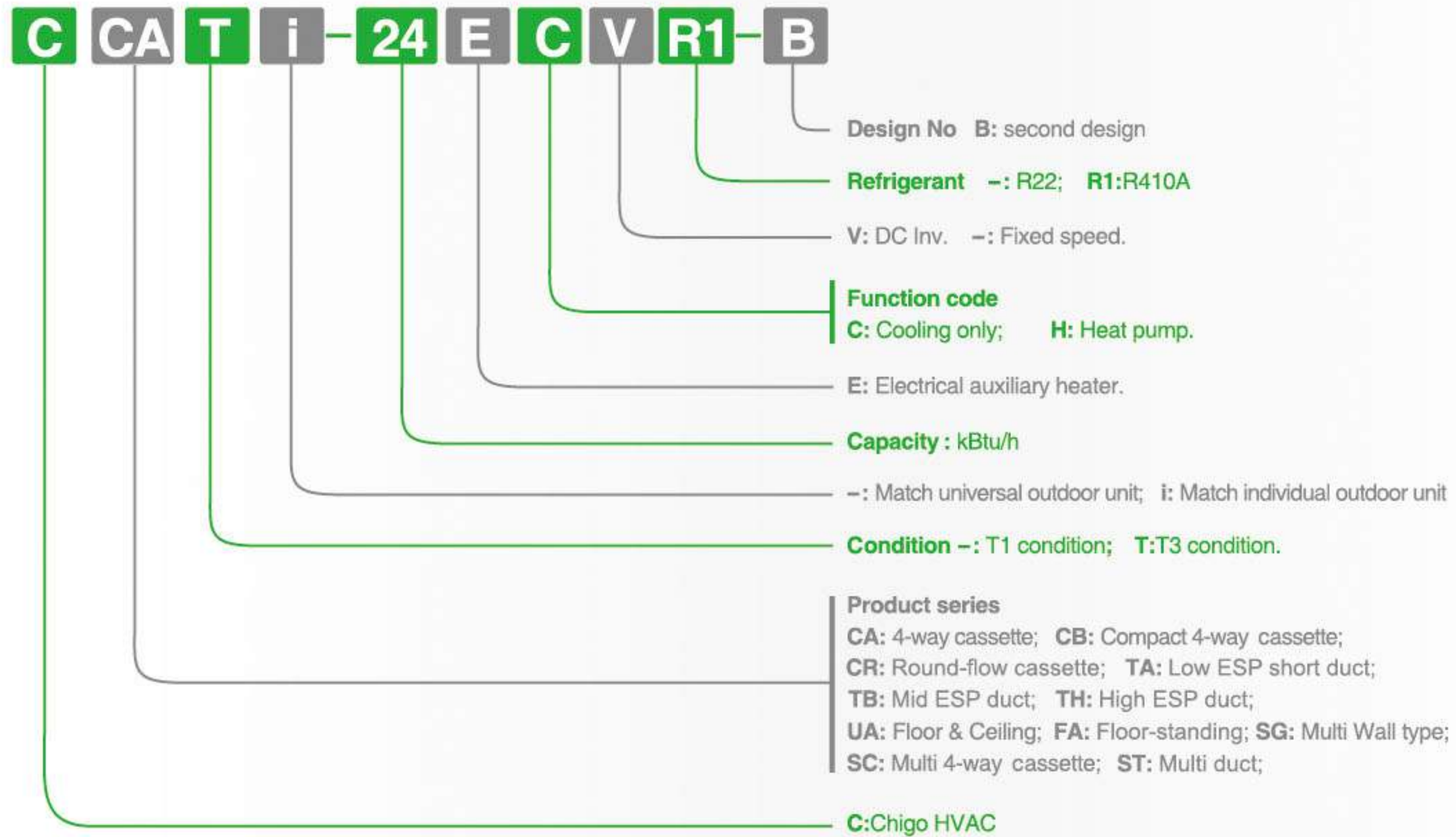
DC Inverter Light Commercial

Capacity(Btu/h)	18,000	24,000	36,000	48,000	60,000
4-way Cassette Unit					
Floor-ceiling Unit					
Low ESP Short Ducted Unit					
Medium ESP Ducted Unit					
High ESP Ducted Unit					
Outdoor Unit					

Multi Split

Capacity(Btu/h)	7,000	9,000	12,000	16,000	18,000	21,000	24,000	27,000	28,000	36,000	42,000
Short Duct Type											
Wall-mounted Type											
Compact cassette											
Outdoor Unit (1 drives 2)											
Outdoor Unit (1 drives 3)											
Outdoor Unit (1 drive 4)											
Outdoor Unit (1 drive 5)											

How to Read the models



ON/OFF Light Commercial Universal Outdoor Unit



Features

- World famous scroll compressor, quick reactivity and stable operation. Anti-attenuation design, better low-temperature heating performance.
 - Scroll Comp.
 - Scroll Plate
 - Working Principle
- Multi-direction piping connection meets different requirement, convenient installation.
 - Front
 - Right
 - Rear
 - 270°
- Inner-grooved tube, enhance the heat exchanger efficiency. Multi protection like high pressure protection, high temperature protection, etc.
- For 24-60K Btu/h, using RS484 communication, 2/3 core shield wire, easy and convenient to connect the wire.
 - 1 2 3 4 5
 - 1 2 3 4 5
 - P Q E
 - P Q E
- Low ambient kit for optional, operating temperature can be down to -15°C in cooling mode.
- For 36-60K Btu/h cooling only type, Panasonic compressor is standard, and Highly compressor is for optional.

Panasonic **HIGHLY**

Specification

R410A Heat Pump



Outdoor unit		COU-12HR1	COU-18HR1	COU-24HR1	COU-36HR1	COU-36HSR1	COU-48HR1	COU-60HSR1	
Power supply	V/Ph/Hz	220-240/1/50	220-240/1/50	220-240/1/50	220-240/1/50	380-415/3/50	380-415/3/50	380-415/3/50	
Capacity									
Cooling	Capacity	Btu/h	12000	18000	24000	36000	36000	48000	60000
		KW	3.5	5.3	7.1	10.5	10.5	14	16
	Input	W	1240	1900	2400	3710	3800	5000	5700
	Rated current	A	5.4	8.26	10.6	16.7	6.9	8.2	10
Heating	Capacity	Btu/h	13200	20000	26000	39000	39000	52000	60000
		KW	3.9	5.9	7.7	11.5	11.5	15.2	16
	Input	W	1270	1690	2100	3310	3600	5100	5800
	Rated current	A	5.5	7.35	9.2	15	6.5	8.4	10.2
Physical data									
Max. input consumption	W	1620	2500	2700	4800	4900	6000	6600	
Max. current	A	8.3	12.6	13.2	21.2	10.3	10.5	11.8	
Starting current	A	27	40	49	112	48	66	70	
Compressor	Type	Rotary	Rotary	Rotary	Scroll/Rotary	Scroll/Rotary	Scroll/Rotary	Scroll/Rotary	
	Brand	GMCC	Highly	Highly	Panasonic	Panasonic	Panasonic	Panasonic	
Outdoor air flow	m ³ /h	2000	2800	3800	6000	6000	6100	6100	
Outdoor noise level	dB(A)	55	53	58	65	65	60	60	
Dimension(WxHxD)	mm	866x535x304	866x535x304	930x700x370	1070x995x400	1070x995x400	911x1335x400	911x1335x400	
Packing dimension(WxHxD)	mm	920x585x335	920x585x335	990x770x410	1145x1120x475	1145x1120x475	964x1445x402	964x1445x402	
Net/Gross weight	kg	36/38	41/43	52/56	92/100	92/100	99/110	99/110	
Refrigerant type/Quantity	g	R410A/1100	R410A/1200	R410A/1800	R410A/2100	R410A/2100	R410A/3600	R410A/4000	
Design pressure	MPa	4.0/1.2	4.0/1.2	4.0/1.2	4.0/1.2	4.0/1.2	4.0/1.2	4.0/1.2	
Piping data									
Liquid side/Gas side	mm	Φ6.35/Φ12.7	Φ6.35/Φ12.7	Φ9.52/Φ15.88	Φ9.52/Φ19.05	Φ9.52/Φ19.05	Φ9.52/Φ19.05	Φ9.52/Φ19.05	
Max. pipe length	m	15	25	25	30	30	50	50	
Max. high drop	m	8	15	15	20	20	30	30	

R410A Cooling Only



Outdoor unit		COU-18CR1	COU-24CR1	COU-36CR1	COU-36CSR1	COU-48CSR1	COU-60CSR1	
Power supply	V/Ph/Hz	220-240/1/50	220-240/1/50	220-240/1/50	380-415/3/50	380-415/3/50	380-415/3/50	
Capacity								
Cooling	Capacity	Btu/h	18000	24000	36000	36000	48000	60000
		KW	5.3	7.1	10.5	10.5	14	16
	Input	W	1900	2400	3710	3800	5000	5700
	Rated current	A	8.26	10.6	16.7	6.9	8.2	10
Physical data								
Max. input consumption	W	2500	2700	4800	4900	6000	6600	
Max. current	A	11.36	13.2	21.2	10.3	10.5	11.8	
Starting current	A	40	49	112	48	66	70	
Compressor	Type	Rotary	Rotary	Scroll/Rotary	Scroll/Rotary	Scroll/Rotary	Scroll/Rotary	
	Brand	Highly	Highly	Panasonic/Highly	Panasonic/Highly	Panasonic/Highly	Panasonic/Highly	
Outdoor air flow	m ³ /h	2800	3800	6000	6000	6100	6100	
Outdoor noise level	dB(A)	53	58	65	65	60	60	
Dimension(WxHxD)	mm	866x535x304	930x700x370	1070x995x400	1070x995x400	911x1335x400	911x1335x400	
Packing dimension(WxHxD)	mm	920x585x335	990x770x410	1145x1120x475	1145x1120x475	964x1445x402	964x1445x402	
Net/Gross weight	kg	39/41	58/61	92/100	92/100	88/99	88/99	
Refrigerant type/Quantity	g	R410A/1250	R410A/1800	R410A/2100	R410A/2100	R410A/3600	R410A/3600	
Design pressure	MPa	4.0/1.2	4.0/1.2	4.0/1.2	4.0/1.2	4.0/1.2	4.0/1.2	
Piping data								
Liquid side/Gas side	mm	Φ6.35/Φ12.7	Φ9.52/Φ15.88	Φ9.52/Φ19.05	Φ9.52/Φ19.05	Φ9.52/Φ19.05	Φ9.52/Φ19.05	
Max. pipe length	m	25	25	30	30	50	50	
Max. high drop	m	15	15	20	20	30	30	

R22 Heat Pump

Outdoor unit		COU-9H	COU-12H	COU-18H	COU-24H	COU-30H	COU-36H	COU-36HS	COU-48HS-A	COU-48HS	COU-60HS	
Power supply	V/Ph/Hz	220-240/1/50	220-240/1/50	220-240/1/50	220-240/1/50	220-240/1/50	220-240/1/50	380-415/3/50	380-415/3/50	380-415/3/50	380-415/3/50	
Capacity												
Cooling	Capacity	Btu/h	9000	12000	18000	24000	30000	36000	36000	48000	48000	60000
		KW	2.6	3.5	5.3	7.1	8.8	10.5	10.5	14	14	16
	Input	W	990	1320	1780	2330	3150	3980	3800	5230	5230	5700
	Rated current	A	4.5	6.1	8.1	10.9	15	18.2	6.8	9.5	9.5	10
Heating	Capacity	Btu/h	10000	13000	20000	26000	32000	40000	40000	52000	52000	60000
		KW	2.9	3.8	5.8	7.8	9.3	11.5	11.5	15.4	15.4	16.6
	Input	W	920	1220	1630	2140	2950	3750	3680	5130	5130	5800
	Rated current	A	4.1	5.6	7.5	10.2	14	17.2	6.6	9.3	9.3	10.2
Physical data												
Max. input consumption	W	1150	1620	2300	3260	4400	5370	5130	7320	7320	7600	
Max. current	A	5.9	8.3	11.6	14.8	22	24.6	9.2	13.2	13.2	13.5	
Starting current	A	16	27	38	64.7	66	112	48	55	55	73	
Compressor	Type	Rotary	Rotary	Rotary	Rotary	Rotary	Scroll	Scroll/Twin-Rotary	Scroll	Scroll/Twin-Rotary	Scroll/Twin-Rotary	
	Brand	Mitsubishi	Mitsubishi	Mitsubishi	Gmcc	Mitsubishi	Panasonic	Panasonic/Highly	Panasonic	Panasonic/Highly	Panasonic/Highly	
Outdoor air flow	m ³ /h	2000	2000	2800	3800	4200	5600	5600	5600	6100	6100	
Outdoor noise level	dB(A)	50	50	53	55	58	60	60	60	60	60	
Dimension(WxHxD)	mm	735x505x286	880x540x305	880x540x305	925x700x366	960x840x390	1050x995x400	1050x995x400	1050x995x400	911x1330x400	911x1330x400	
Packing dimension(WxHxD)	mm	825x550x320	920x585x335	920x585x335	990x770x410	1030x435x950	1145x1120x475	1145x1120x475	1145x1120x475	964x1445x402	964x1445x402	
Net/Gross weight	kg	28/30	35/33	49/51	55/60	63/73	92/100	92/100	98/106	96/107	99/110	
Refrigerant quantity	g	800	1000	1520	1900	2650	2500	2500	3000	3000	3300	
Design pressure	MPa	2.7/0.7	2.7/0.7	2.7/0.7	2.7/0.7	2.7/0.7	2.7/0.7	2.7/0.7	2.7/0.7	2.7/0.7	2.7/0.7	
Piping data												
Liquid side/Gas side	mm	Φ6.35/Φ9.52	Φ6.35/Φ12.7	Φ6.35/Φ12.7	Φ9.52/Φ15.88	Φ9.52/Φ15.88	Φ9.52/Φ19.05	Φ9.52/Φ19.05	Φ9.52/Φ19.05	Φ9.52/Φ19.05	Φ9.52/Φ19.05	
Max. pipe length	m	15	15	25	25	25	30	30	50	50	50	
Max. high drop	m	8	8	15	15	15	20	20	30	30	30	

R22 Cooling Only

Outdoor unit		COU-9C	COU-12C	COU-18C	COU-24C	COU-30C	COU-36C	COU-36CS	COU-48CS-A	COU-48CS	COU-60CS	
Power supply	V/Ph/Hz	220-240/1/50	220-240/1/50	220-240/1/50	220-240/1/50	220-240/1/50	220-240/1/50	380-415/3/50	380-415/3/50	380-415/3/50	380-415/3/50	
Capacity												
Cooling	Capacity	Btu/h	9000	12000	18000	24000	30000	36000	36000	48000	48000	60000
		KW	2.6	3.5	5.3	7.1	8.8	10.5	10.5	14	14	16
	Input	W	990	1320	1780	2330	3150	3980	3800	5230	5230	5700
	Rated current	A	4.5	6.1	8.1	10.9	15	18.2	6.8	9.5	9.5	10
Physical data												
Max. input consumption	W	1150	1620	2300	3260	4400	5370	5130	7320	7320	7600	
Max. current	A	5.9	8.3	11.6	14.8	22	24.6	9.2	13.2	13.2	13.5	
Starting current	A	16	27	38	64.7	66	112	48	55	55	73	
Compressor	Type	Rotary	Rotary	Rotary	Rotary	Rotary	Scroll	Scroll/Twin-Rotary	Scroll	Scroll/Twin-Rotary	Scroll/Twin-Rotary	
	Brand	Mitsubishi	Mitsubishi	Mitsubishi	Gmcc	Mitsubishi	Panasonic	Panasonic/Highly	Panasonic	Panasonic/Highly	Panasonic/Highly	
Outdoor air flow	m ³ /h	2000	2000	2800	3800	4200	5600	5600	5600	6100	6100	
Outdoor noise level	dB(A)	50	50	53	55	58	60	60	60	60	60	
Dimension(WxHxD)	mm	735x505x286	880x540x305	880x540x305	925x700x366	960x840x390	1050x995x400	1050x995x400	1050x995x400	911x1330x400	911x1330x400	
Packing dimension(WxHxD)	mm	825x550x320	920x585x335	920x585x335	990x770x410	1030x435x950	1145x1120x475	1145x1120x475	1145x1120x475	964x1445x402	964x1445x402	
Net/Gross weight	kg	26/28	32/34	36/38	54/59	59/70	92/100	92/100	92/100	90/94	96/107	
Refrigerant quantity	g	550	680	1000	1100	1700	2200	2200	2050	2500	3000	
Design pressure	MPa	2.7/0.7	2.7/0.7	2.7/0.7	2.7/0.7	2.7/0.7	2.7/0.7	2.7/0.7	2.7/0.7	2.7/0.7	2.7/0.7	
Piping data												
Liquid side/Gas side	mm	Φ6.35/Φ9.52	Φ6.35/Φ12.7	Φ6.35/Φ12.7	Φ9.52/Φ15.88	Φ9.52/Φ15.88	Φ9.52/Φ19.05	Φ9.52/Φ19.05	Φ9.52/Φ19.05	Φ9.52/Φ19.05	Φ9.52/Φ19.05	
Max. pipe length	m	15	15	25	25	25	30	30	50	50	50	
Max. high drop	m	8	8	15	15	15	20	20	30	30	30	

4-way Cassette (Compact) Unit



12K/18K Btu/h

Controller		
Standard	Optional	
Wireless	Wireless	Wired

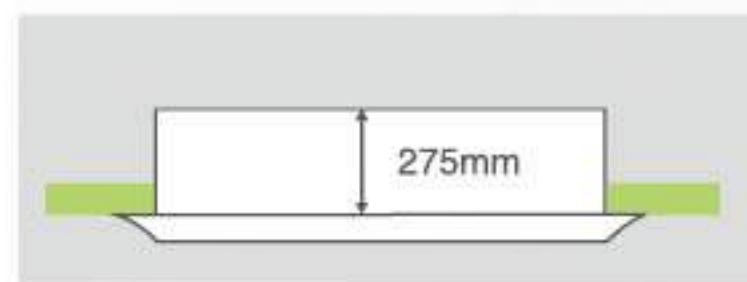
Features

1 Compact type, ultra-thin body design, the min. height is only 275mm, save installation space.



650*650mm

Compact Panel

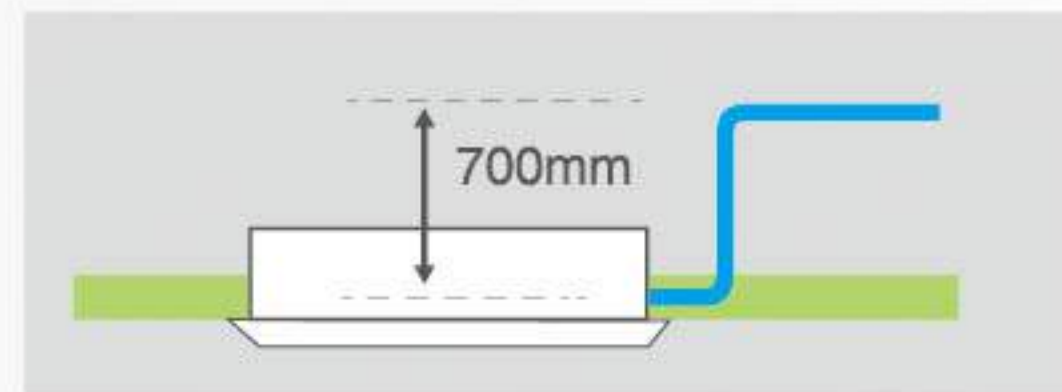


3 Streamlined design and 3D spiral fan blade, reduces air resistance and operation noise.

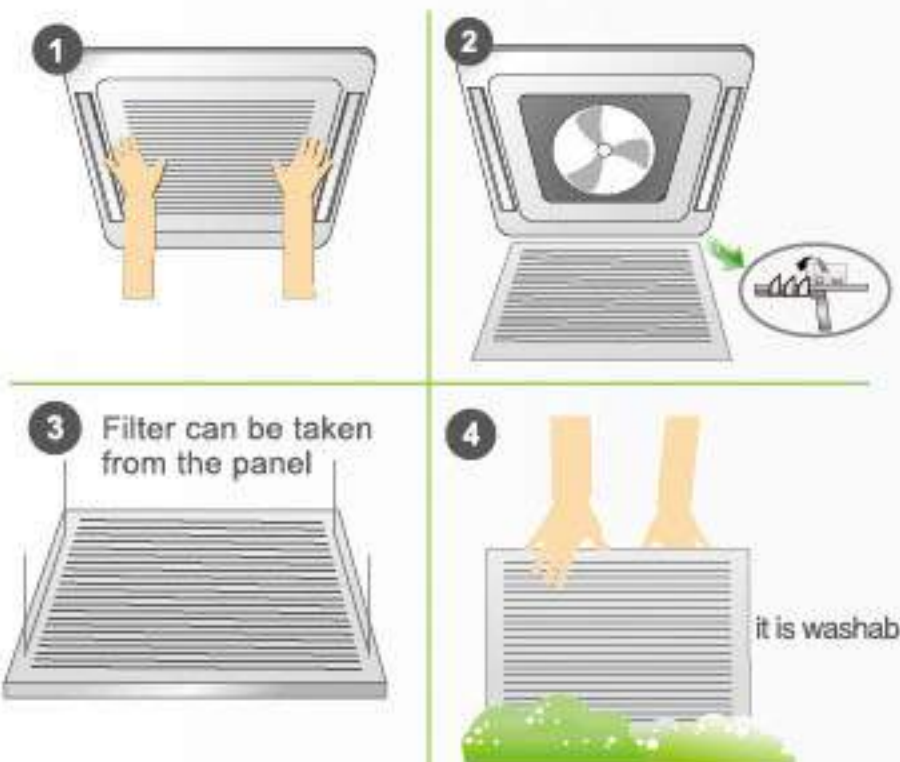


Three-dimensional spiral fan blade
diffuser

4 Built-in water pump, pump head up to 700mm.



2 Washable filter, convenient to install and maintain.



3 Filter can be taken from the panel

4 it is washable

5 Foam water tray coated with special plastic, convenient to install, preventing the leakage of condensed water effectively.



Specification

R410A Heat Pump

Indoor unit		CCB-12HR1	CCB-18HR1
Power supply	V/Ph/Hz	220-240/1/50	220-240/1/50
Capacity			
Cooling	Capacity	Btu/h	12000
		KW	3.5
	Input	W	75
	Rated current	A	0.4
Heating	Capacity	Btu/h	13200
		KW	3.9
	Input	W	75
	Rated current	A	0.4
		COP	2.88
		W/W	3.34
Physical data			
Indoor air flow(Hi/Med/Lo)	m ³ /h	590/480/350	750/620/510
Indoor noise level(Hi/Med/Lo)	dB(A)	40/35/32	48/43/34
Dimension(W×H×D)	Body(mm)	580x275x580	580x260x580
	Panel(mm)	650x30x650	650x30x650
Packing dimension(W×H×D)	Body(mm)	745x375x675	745x375x675
	Panel(mm)	750x95x750	750x95x750
Net/Gross weight	Body(Kg)	16/22	16.5/22
	Panel(Kg)	2.7/4.0	2.7/4.0
Refrigerant type		R410A	R410A
Piping data			
Liquid side/Gas side	mm	Φ6.35/Φ12.7	Φ6.35/Φ12.7
Drainage pipe	mm	DN25	DN25
Application area	m ²	15-25	20-35
Stuffing quantity(Set)	40'HQ	150	150

R22 Heat Pump

Indoor unit		CCB-12H	CCB-18H
Power supply	V/Ph/Hz	220-240/1/50	220-240/1/50
Capacity			
Cooling	Capacity	Btu/h	12000
		KW	3.5
	Input	W	60
	Rated current	A	0.3
Heating	Capacity	Btu/h	13000
		KW	3.8
	Input	W	60
	Rated current	A	0.3
		COP	3.01
		W/W	3.37
Physical data			
Indoor air flow(Hi/Med/Lo)	m ³ /h	600/510/450	750/620/510
Indoor noise level(Hi/Med/Lo)	dB(A)	40/35/32	48/43/34
Dimension(W×H×D)	Body(mm)	580x260x580	580x260x580
	Panel(mm)	650x30x650	650x30x650
Packing dimension(W×H×D)	Body(mm)	745x375x675	745x375x675
	Panel(mm)	750x95x750	750x95x750
Net/Gross weight	Body (Kg)	16.5/22	16.5/22
	Panel (Kg)	2.7/4.0	2.7/4.0
Refrigerant type		R22	R22
Piping data			
Liquid side/Gas side	mm	Φ6.35/Φ12.7	Φ6.35/Φ12.7
Drainage pipe	mm	DN25	DN25
Application area	m ²	15-25	20-35
Stuffing quantity(Set)	40'HQ	150	150

R410A Cooling Only

Indoor unit		CCB-18CR1	
Power supply	V/Ph/Hz	220-240/1/50	
Capacity			
Cooling	Capacity	Btu/h	18000
		KW	5.3
	Input	W	75
	Rated current	A	0.4
		EER	2.68
Physical data			
Indoor air flow(Hi/Med/Lo)	m ³ /h	750/620/510	
Indoor noise level(Hi/Med/Lo)	dB(A)	48/43/34	
Dimension(W×H×D)	Body(mm)	580x260x580	
	Panel(mm)	650x30x650	
Packing dimension(W×H×D)	Body(mm)	745x375x675	
	Panel(mm)	750x95x750	
Net/Gross weight	Body(Kg)	16.5/22	
	Panel(Kg)	2.7/4.0	
Refrigerant type		R410A	
Piping data			
Liquid side/Gas side	mm	Φ6.35/Φ12.7	
Drainage pipe	mm	DN25	
Application area	m ²	20-35	
Stuffing quantity(Set)	40'HQ	150	

R22 Cooling Only

Indoor unit		CCB-12C	CCB-18C
Power supply	V/Ph/Hz	220-240/1/50	220-240/1/50
Capacity			
Cooling	Capacity	Btu/h	12000
		KW	3.5
	Input	W	60
	Rated current	A	0.3
		EER	2.54
		W/W	2.82
Physical data			
Indoor air flow(Hi/Med/Lo)	m ³ /h	600/510/450	750/620/510
Indoor noise level(Hi/Med/Lo)	dB(A)	40/35/32	48/43/34
Dimension(W×H×D)	Body(mm)	580x260x580	580x260x580
	Panel(mm)	650x30x650	650x30x650
Packing dimension(W×H×D)	Body(mm)	745x375x675	745x375x675
	Panel(mm)	750x95x750	750x95x750
Net/Gross weight	Body (Kg)	16.5/22	16.5/22
	Panel (Kg)	2.7/4.0	2.7/4.0
Refrigerant type		R22	R22
Piping data			
Liquid side/Gas side	mm	Φ6.35/Φ12.7	Φ6.35/Φ12.7
Drainage pipe	mm	DN25	DN25
Application area	m ²	15-25	20-35
Stuffing quantity(Set)	40'HQ	150	150

4-way Cassette Unit



18k~60k Btu/h

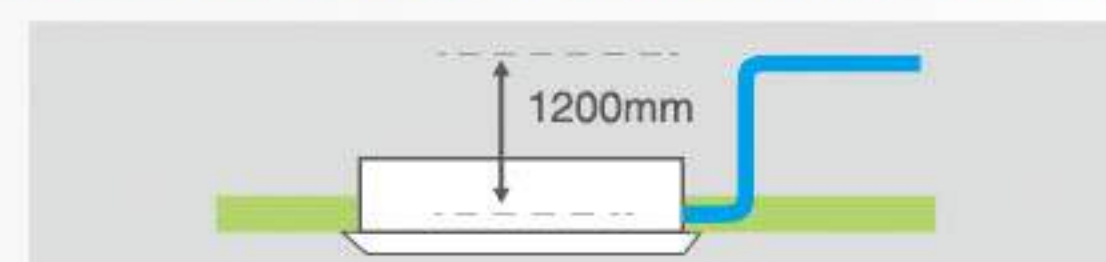
Controller		
Standard	Optional	
Wireless	Wireless	Wired

Features

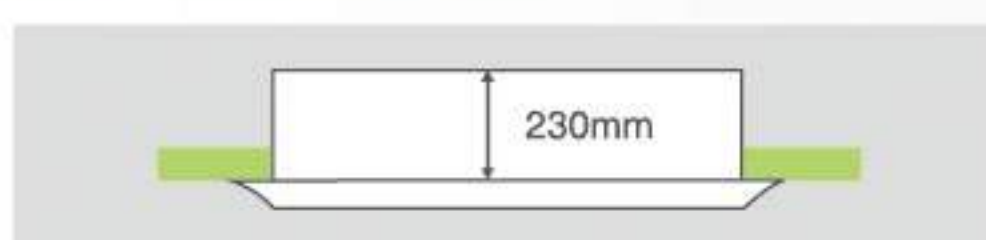
1 Digital tube display is optional.



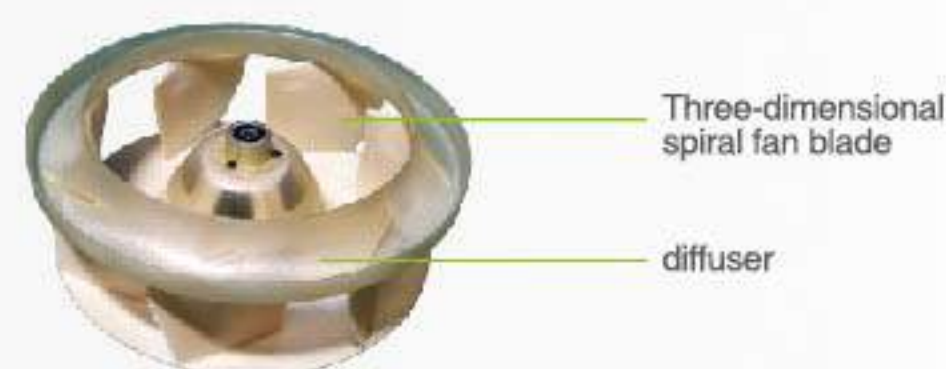
2 Built-in water pump, pump head up to 1200mm.



3 Ultra-thin body design, the min. Height is only 230mm, save installation space.



4 Streamlined design and 3D spiral fan blade, reduces air resistance and operation noise.



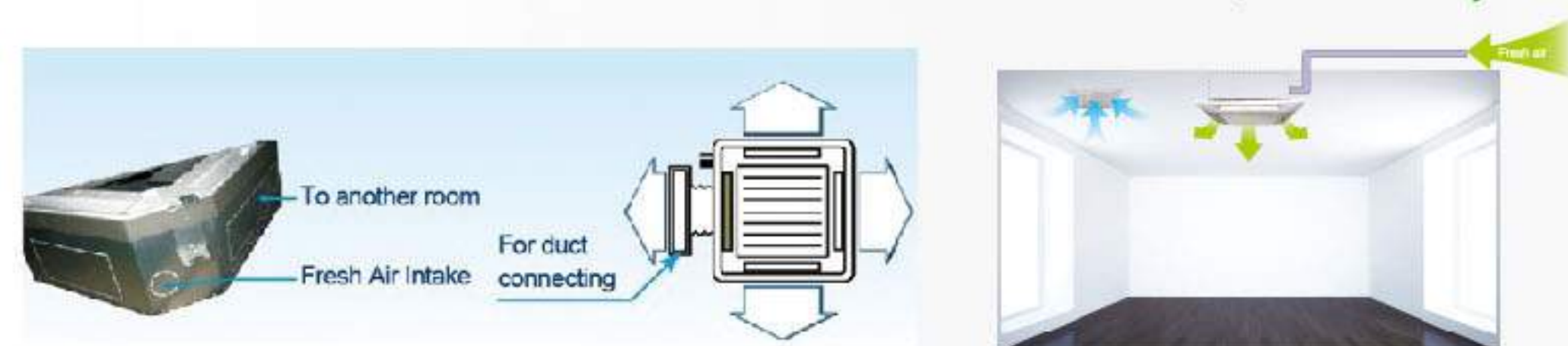
5 Cold catalyst filter for optional to absorb small particles to adjust Atmospheric Particulate Matter lower than PM2.5.



6 Easy and convenient installation and maintenance, washable filter design.



7 Four interfaces to connect with duct to another room. Fresh air intake, more healthy and comfortable.



Specification

R410A Heat Pump

Indoor unit		CCA-18HR1	CCA-24HR1	CCA-36HR1	CCA-48HR1	CCA-60HR1	
Power supply	V/Ph/Hz	220-240/1/50	220-240/1/50	220-240/1/50	220-240/1/50	220-240/1/50	
Capacity							
Cooling	Capacity	Btu/h	18000	24000	36000	48000	60000
		KW	5.3	7.1	10.5	14	16
	Input	W	65	150	160	180	180
	Rated current	A	0.4	0.7	0.8	0.8	0.8
	EER	W/W	2.70	2.78	2.71	2.70	2.72
Heating	Capacity	Btu/h	20000	26000	39000	52000	60000
		KW	5.9	7.7	11.5	15.2	16.0
	Input	W	65	150	160	180	180
	Rated current	A	0.4	0.7	0.8	0.8	0.8
	COP	W/W	3.31	3.42	3.31	2.88	2.78
Physical data							
Indoor air flow(Hi/Med/Lo)	m³/h	810/720/640	1200/1020/840	1700/1500/1300	1900/1650/1400	1900/1650/1400	
Indoor noise level(Hi/Med/Lo)	dB(A)	45/41/38	48/46/44	48/46/44	52/48/45	52/48/45	
Dimension(W×H×D)	Body(mm)	840×230×840	840×230×840	840×285×840	840×285×840	840×285×840	
	Panel(mm)	950×50×950	950×50×950	950×50×950	950×50×950	950×50×950	
Packing dimension(W×H×D)	Body(mm)	920×265×920	920×265×920	920×310×920	920×310×920	920×310×920	
	Panel(mm)	1030×105×1030	1030×105×1030	1030×105×1030	1030×105×1030	1030×105×1030	
Net/Gross weight	Body(kg)	24/29	24/29	28/33.5	28/33.5	30.5/36	
	Panel(kg)	5.4/8.0	5.4/8.0	5.4/8.0	5.4/8.0	5.4/8.0	
Refrigerant type		R410A	R410A	R410A	R410A	R410A	
Piping data							
Liquid side/Gas side	mm	Φ6.35/Φ12.7	Φ9.52/Φ15.88	Φ9.52/Φ19.05	Φ9.52/Φ19.05	Φ9.52/Φ19.05	
Drainage pipe	mm	DN25	DN25	DN25	DN25	DN25	
Application area	m²	20-35	28-50	40-70	55-95	60-105	

R410A Cooling Only

Indoor unit		CCA-18CR1	CCA-24CR1	CCA-36CR1	CCA-48CR1	CCA-60CR1	
Power supply	V/Ph/Hz	220-240/1/50	220-240/1/50	220-240/1/50	220-240/1/50	220-240/1/50	
Capacity							
Cooling	Capacity	Btu/h	18000	24000	36000	48000	60000
		KW	5.3	7.1	10.5	14	16
	Input	W	65	150	160	180	180
	Rated current	A	0.4	0.7	0.8	0.8	0.8
	EER	W/W	2.70	2.78	2.71	2.70	2.72
Physical data							
Indoor air flow(Hi/Med/Lo)	m³/h	810/720/640	1200/1020/840	1700/1500/1300	1900/1650/1400	1900/1650/1400	
Indoor noise level(Hi/Med/Lo)	dB(A)	45/41/38	48/46/44	48/46/44	52/48/45	52/48/45	
Dimension(W×H×D)	Body(mm)	840×230×840	840×230×840	840×285×840	840×285×840	840×285×840	
	Panel(mm)	950×50×950	950×50×950	950×50×950	950×50×950	950×50×950	
Packing dimension(W×H×D)	Body(mm)	920×265×920	920×265×920	920×310×920	920×310×920	920×310×920	
	Panel(mm)	1030×105×1030	1030×105×1030	1030×105×1030	1030×105×1030	1030×105×1030	
Net/Gross weight	Body(kg)	24/29	24/29	28/33.5	28/33.5	30.5/36	
	Panel(kg)	5.4/8.0	5.4/8.0	5.4/8.0	5.4/8.0	5.4/8.0	
Refrigerant type		R410A	R410A	R410A	R410A	R410A	
Piping data							
Liquid side/Gas side	mm	Φ6.35/Φ12.7	Φ9.52/Φ15.88	Φ9.52/Φ19.05	Φ9.52/Φ19.05	Φ9.52/Φ19.05	
Drainage pipe	mm	DN25	DN25	DN25	DN25	DN25	
Application area	m²	20-35	28-50	40-70	55-95	60-105	
Stuffing quantity(Set)	40' HQ	90	90	60	60	60	

Round-flow Cassette

R22 Heat Pump

Indoor unit		CCA-18H	CCA-24H	CCA-30H	CCA-36H	CCA-48H	CCA-60H	
Power supply	V/Ph/Hz	220-240/1/50	220-240/1/50	220-240/1/50	220-240/1/50	220-240/1/50	220-240/1/50	
Capacity								
Cooling	Capacity	Btu/h	18000	24000	30000	36000	48000	60000
		KW	5.3	7.1	8.8	10.5	14	16
	Input	W	100	150	200	160	180	180
	Rated current	A	0.5	0.7	1	0.8	0.8	0.8
	EER	W/W	2.82	2.86	2.62	2.65	2.60	2.72
Heating	Capacity	Btu/h	20000	26000	32000	39000	52000	60000
		KW	5.8	7.8	9.3	11.5	15.4	16.6
	Input	W	100	150	200	160	180	180
	Rated current	A	0.5	0.7	1	0.8	0.8	0.8
	COP	W/W	3.37	3.41	2.98	3.01	2.91	2.68
Physical data								
Indoor air flow(Hi/Med/Lo)	m ³ /h	810/700/580	1200/1050/900	1350/1200/1050	1700/1500/1200	1900/1600/1300	1900/1600/1300	
Indoor noise level(Hi/Med/Lo)	dB(A)	48/45/43	48/46/44	48/46/44	48/46/44	52/48/45	52/48/45	
Dimension(W×H×D)	Body(mm)	840×230×840	840×230×840	840×285×840	840×285×840	840×285×840	840×285×840	
	Panel(mm)	950×50×950	950×50×950	950×50×950	950×50×950	950×50×950	950×50×950	
Packing dimension(W×H×D)	Body(mm)	920×265×920	920×265×920	920×265×920	920×310×920	920×310×920	920×310×920	
	Panel(mm)	1030×105×1030	1030×105×1030	1030×105×1030	1030×105×1030	1030×105×1030	1030×105×1030	
Net/Gross weight	Body(kg)	24/29	24/29	24/29	28/33.5	28/33.5	30.5/36	
	Panel(kg)	5.4/8.0	5.4/8.0	5.4/8.0	5.4/8.0	5.4/8.0	5.4/8.0	
Refrigerant type		R22	R22	R22	R22	R22	R22	
Piping data								
Liquid side/Gas side	mm	Φ6.35/Φ12.7	Φ9.52/Φ15.88	Φ9.52/ Φ19.05	Φ9.52/ Φ19.05	Φ9.52/Φ19.05	Φ9.52/Φ19.05	
Drainage pipe	mm	DN25	DN25	DN25	DN25	DN25	DN25	
Application area	m ²	20~35	28~50	28~50	40~70	55~95	60~105	
Stuffing quantity(Set)	40' HQ	150	90	90	60	60	60	



18K-60K Btu/h

Controller

Standard	Optional	
Wireless	Wireless	Wired

Features

1 Round-flow cassette, 360° air flow, cold air can reach each corner of the room, more comfortable.



Round flow cassette

2 Streamlined design and 3D spiral fan blade, reduces air resistance and operation noise.



Three-dimensional spiral fan blade
diffuser

3 Digital tube display is optional.

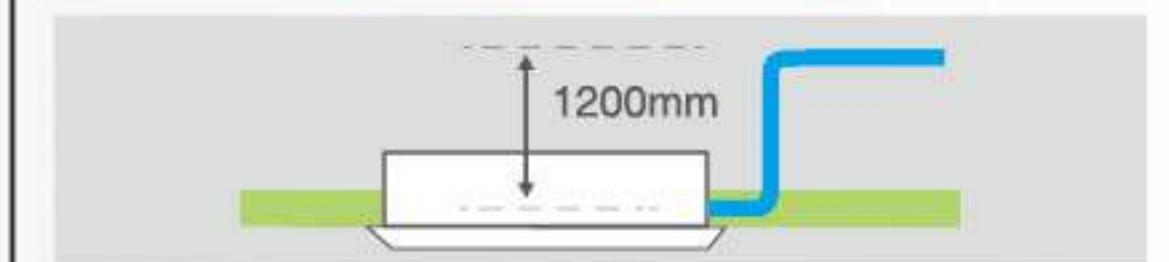


Optional



Standard

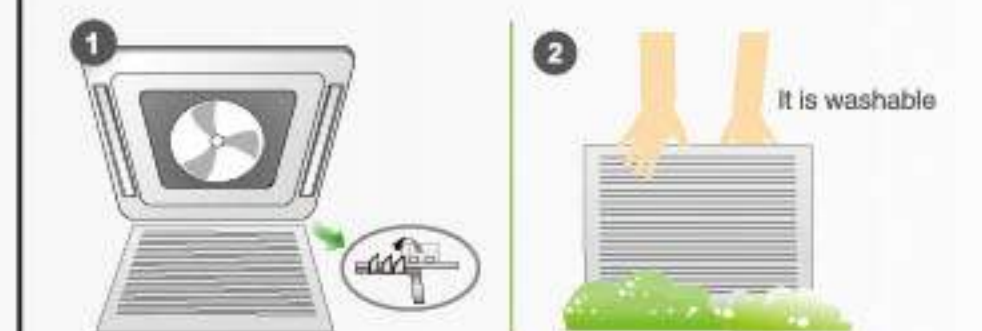
4 Built-in water pump, pump head up to 1200mm.



5 Cold catalyst filter for optional to absorb small particles to adjust Atmospheric Particulate Matter lower than PM2.5.



6 Easy and convenient installation and maintenance, washable filter design.



7 Four interfaces to connect with duct to another room. Fresh air intake, more healthy and comfortable.



Specification

R410A Heat Pump



Indoor unit		CCR-18HR1	CCR-24HR1	CCR-36HR1	CCR-48HR1	CCR-60HR1	
Power supply	V/Ph/Hz	220-240/1/50	220-240/1/50	220-240/1/50	220-240/1/50	220-240/1/50	
Capacity							
Cooling	Capacity	Btu/h	18000	24000	36000	48000	60000
		KW	5.3	7.1	10.5	14	16
	Input	W	65	150	160	180	180
	Rated current	A	0.4	0.7	0.8	0.8	0.8
	EER	W/W	2.70	2.78	2.71	2.70	2.72
Heating	Capacity	Btu/h	20000	26000	39000	52000	60000
		KW	5.9	7.7	11.5	15.2	16.0
	Input	W	65	150	160	180	180
	Rated current	A	0.4	0.7	0.8	0.8	0.8
	COP	W/W	3.31	3.42	3.31	2.88	2.68
Physical data							
Indoor air flow(Hi/Med/Lo)	m³/h	810/720/640	1200/1020/840	1700/1500/1300	1900/1650/1400	1900/1650/1400	
Indoor noise level(Hi/Med/Lo)	dB(A)	45/41/38	48/46/44	48/46/44	52/48/45	52/48/45	
Dimension(W×H×D)	Body(mm)	840×230×840	840×230×840	840×285×840	840×285×840	840×285×840	
	Panel(mm)	950X40X950	950X40X950	950X40X950	950X40X950	950X40X950	
Packing dimension(W×H×D)	Body(mm)	920×265×920	920×265×920	920×310×920	920×310×920	920×310×920	
	Panel(mm)	1030X100X1030	1030X100X1030	1030X100X1030	1030X100X1030	1030X100X1030	
Net/Gross weight	Body(kg)	24/29	24/29	28/33.5	28/33.5	30.5/36	
	Panel(kg)	6.5/9.5	6.5/9.5	6.5/9.5	6.5/9.5	6.5/9.5	
Refrigerant type		R410A	R410A	R410A	R410A	R410A	
Piping data							
Liquid side/Gas side	mm	Φ6.35/Φ12.7	Φ9.52/Φ15.88	Φ9.52/Φ19.05	Φ9.52/Φ19.05	Φ9.52/Φ19.05	
Drainage pipe	mm	DN25	DN25	DN25	DN25	DN25	
Application area	m²	20-35	28-50	40-70	55-95	60-105	

R410A Cooling Only



Indoor unit		CCR-18CR1	CCR-24CR1	CCR-36CR1	CCR-48CR1	CCR-60CR1	
Power supply	V/Ph/Hz	220-240/1/50	220-240/1/50	220-240/1/50	220-240/1/50	220-240/1/50	
Capacity							
Cooling	Capacity	Btu/h	18000	24000	36000	48000	60000
		KW	5.3	7.1	10.5	14	16
	Input	W	65	150	160	180	180
	Rated current	A	0.4	0.7	0.8	0.8	0.8
	EER	W/W	2.70	2.78	2.71	2.70	2.72
Physical data							
Indoor air flow(Hi/Med/Lo)	m³/h	810/720/640	1200/1020/840	1700/1500/1300	1900/1650/1400	1900/1650/1400	
Indoor noise level(Hi/Med/Lo)	dB(A)	45/41/38	48/46/44	48/46/44	52/48/45	52/48/45	
Dimension(W×H×D)	Body(mm)	840×230×840	840×230×840	840×285×840	840×285×840	840×285×840	
	Panel(mm)	950X40X950	950X40X950	950X40X950	950X40X950	950X40X950	
Packing dimension(W×H×D)	Body(mm)	920×265×920	920×265×920	920×310×920	920×310×920	920×310×920	
	Panel(mm)	1030X100X1030	1030X100X1030	1030X100X1030	1030X100X1030	1030X100X1030	
Net/Gross weight	Body(kg)	24/29	24/29	28/33.5	28/33.5	30.5/36	
	Panel(kg)	6.5/9.5	6.5/9.5	6.5/9.5	6.5/9.5	6.5/9.5	
Refrigerant type		R410A	R410A	R410A	R410A	R410A	
Piping data							
Liquid side/Gas side	mm	Φ6.35/Φ12.7	Φ9.52/Φ15.88	Φ9.52/Φ19.05	Φ9.52/Φ19.05	Φ9.52/Φ19.05	
Drainage pipe	mm	DN25	DN25	DN25	DN25	DN25	
Application area	m²	20-35	28-50	40-70	55-95	60-105	
Stuffing quantity(Set)	40' HQ	90	90	60	60	60	

R22 Heat Pump

Indoor unit		CCR-18H	CCR-24H	CCR-30H	CCR-36H	CCR-48H	CCR-60H	
Power supply	V/Ph/Hz	220-240/1/50	220-240/1/50	220-240/1/50	220-240/1/50	220-240/1/50	220-240/1/50	
Capacity								
Cooling	Capacity	Btu/h	18000	24000	30000	36000	48000	60000
		KW	5.3	7.1	8.8	10.5	14	16
	Input	W	100	150	200	160	180	180
	Rated current	A	0.5	0.7	1	0.8	0.8	0.8
	EER	W/W	2.82	2.86	2.62	2.65	2.60	2.72
Heating	Capacity	Btu/h	20000	26000	32000	39000	52000	60000
		KW	5.8	7.8	9.3	11.5	15.4	16
	Input	W	100	150	200	160	180	180
	Rated current	A	0.5	0.7	1	0.8	0.8	0.8
	COP	W/W	3.37	3.41	2.95	3.01	2.91	2.68
Physical data								
Indoor air flow(Hi/Med/Lo)	m³/h	810/700/580	1200/1050/900	1350/1200/1050	1700/1500/1200	1900/1600/1300	1900/1600/1300	
Indoor noise level(Hi/Med/Lo)	dB(A)	48/45/43	48/46/44	48/46/44	48/46/44	52/48/45	52/48/45	
Dimension(W×H×D)	Body(mm)	840×230×840	840×230×840	840×285×840	840×285×840	840×285×840	840×285×840	
	Panel(mm)	950X40X950	950X40X950	950X40X950	950X40X950	950X40X950	950X40X950	
Packing dimension(W×H×D)	Body(mm)	920×265×920	920×265×920	920×265×920	920×310×920	920×310×920	920×310×920	
	Panel(mm)	1030X100X1030	1030X100X1030	1030X100X1030	1030X100X1030	1030X100X1030	1030X100X1030	
Net/Gross weight	Body(kg)	24/29	23.5/29	24/29	28/33.5	27/33	30.5/36	
	Panel(kg)	6.5/9.5	6.5/9.5	6.5/9.5	6.5/9.5	6.5/9.5	6.5/9.5	
Refrigerant type		R22	R22	R22	R22	R22	R22	
Piping data								
Liquid side/Gas side	mm	Φ6.35/Φ12.7	Φ9.52/Φ15.88	Φ9.52/Φ19.05	Φ9.52/Φ19.05	Φ9.52/Φ19.05	Φ9.52/Φ19.05	
Drainage pipe	mm	DN25	DN25	DN25	DN25	DN25	DN25	
Application area	m²	20-35	28-50	28-50	40-70	55-95	60-105	
Stuffing quantity(Set)	40' HQ	150	90	90	60	60	60	

R22 Cooling Only

Indoor unit		CCR-18C	CCR-24C	CCR-30C	CCR-36C	CCR-48C	CCR-60C	
Power supply	V/Ph/Hz	220-240/1/50	220-240/1/50	220-240/1/50	220-240/1/50	220-240/1/50	220-240/1/50	
Capacity								
Cooling	Capacity	Btu/h	18000	24000	30000	36000	48000	60000
		KW	5.3	7.1	8.8	10.5	14	16
	Input	W	100	150	200	160	180	180
	Rated current	A	0.5	0.7	1	0.8	0.8	0.8
	EER	W/W	2.82	2.86	2.62	2.65	2.59	2.72
Physical data								
Indoor air flow(Hi/Med/Lo)	m³/h	810/700/580	1200/1050/900	1350/1200/1050	1700/1500/1200	1900/1600/1300	1900/1600/1300	
Indoor noise level(Hi/Med/Lo)	dB(A)	48/45/43	48/46/44	48/46/44	48/46/44	52/48/45	52/48/45	
Dimension(W×H×D)	Body(mm)	840×230×840	840×230×840	840×285×840	840×285×840	840×285×840	840×285×840	
	Panel(mm)	950X40X950	950X40X950	950X40X950	950X40X950	950X40X950	950X40X950	
Packing dimension(W×H×D)	Body(mm)	920×265×920	920×265×920	920×265×920	920×310×920	920×310×920	920×310×920	
	Panel(mm)	1030X100X1030	1030X100X1030	1030X100X1030	1030X100X1030	1030X100X1030	1030X100X1030	
Net/Gross weight	Body(kg)	24/29	24/29	24/29	28/33.5	28/33.5	30.5/36	
	Panel(kg)	6.5/9.5	6.5/9.5	6.5/9.5	6.5/9.5	6.5/9.5	6.5/9.5	
Refrigerant type		R22	R22	R22	R22	R22	R22	
Piping data								
Liquid side/Gas side	mm	Φ6.35/Φ12.7	Φ9.52/Φ15.88	Φ9.52/Φ19.05	Φ9.52/Φ19.05	Φ9.52/Φ19.05	Φ9.52/Φ19.05	
Drainage pipe	mm	DN25	DN25	DN25	DN25	DN25	DN25	
Application area	m²	20-35	28-50	28-50	40-70	55-95	60-105	
Stuffing quantity(Set)	40' HQ	90	90	90	60	60	60	

Floor & Ceiling Unit



18K ~60K Btu/h

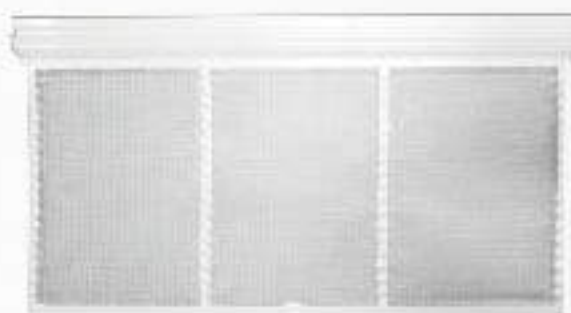
Controller		
Standard	Optional	
Wireless	Wireless	Wired

Features

- 1 Flexible installation, ceiling suspended and floor standing.



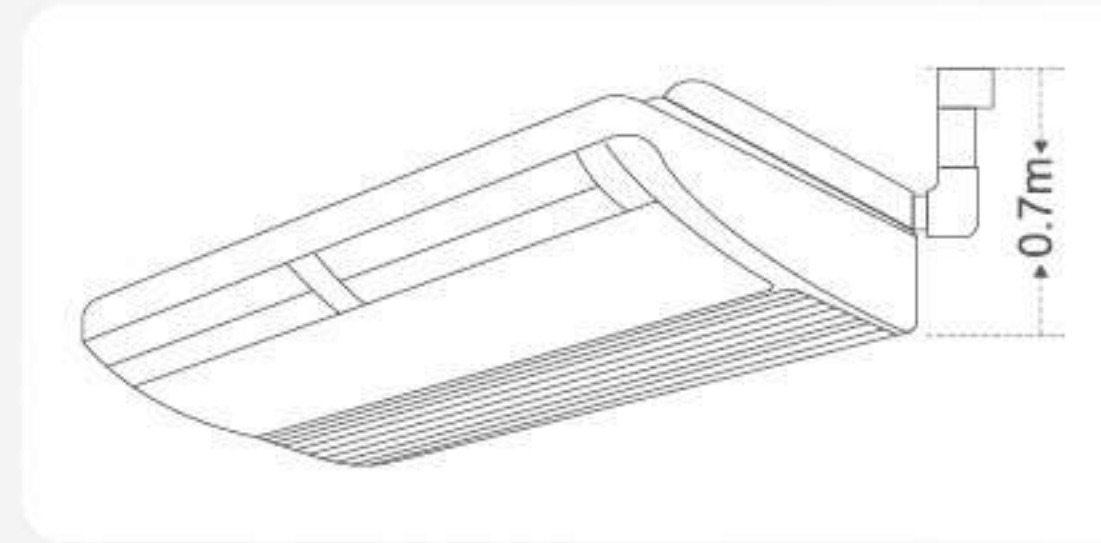
- 2 Washable air filter.



- 3 Auto-swing function, built-in two louver motor, vertical and horizontal air-flow adjustment.



- 4 Water pump is optional, the pumping head is up to 700mm.



- 5 Digital display is optional, in the middle or on the right side. It is more intuitive and simple, and error code can be shown in the display.



- 6 New upper and lower buckle type wheel case, the upper wheel case can be removed alone, which is convenient adjust the wheel motor.



Specification

R410A Heat Pump

Indoor unit		CUA-18HR1	CUA-24HR1	CUA-36HR1	CUA-48HR1	CUA-60HR1	
Power supply	V/Ph/Hz	220-240/1/50	220-240/1/50	220-240/1/50	220-240/1/50	220-240/1/50	
Capacity							
Cooling	Capacity	Btu/h	18000	24000	36000	48000	60000
		KW	5.3	7.1	10.5	14	16
	Input	W	130	150	300	260	260
	Rated current	A	0.3	0.7	1.4	1.15	1.15
Heating	Capacity	Btu/h	19800	26000	39000	52000	60000
		KW	5.9	7.7	11.5	15.2	16.0
	Input	W	130	150	300	260	260
	Rated current	A	0.3	0.68	1.4	1.15	1.15
	COP	W/W	3.24	3.42	3.19	2.84	2.64
Physical data							
Indoor air flow(Hi/Med/Lo)	m ³ /h	790/670/540	1300/1050/900	1700/1300/1100	2300/1900/1500	2300/1900/1500	
Indoor noise level(Hi/Med/Lo)	dB(A)	52/48/44	48/43/39	52/48/44	57/52/48	57/52/48	
Dimension(W×H×D)	mm	880×635×203	1245×680×247	1245×680×247	1670×680×247	1670×680×247	
Packing dimension(W×H×D)	mm	970×725×300	1325×770×325	1325×770×325	1750×770×325	1750×770×325	
Net/Gross weight	kg	30/35	35/41	37/43	47/54	47/54	
Refrigerant type		R410A	R410A	R410A	R410A	R410A	
Piping data							
Liquid side/Gas side	mm	Φ6.35/Φ12.7	Φ9.52/Φ15.88	Φ9.52/Φ19.05	Φ9.52/Φ19.05	Φ9.52/Φ19.05	
Drainag pipe	mm	DN25	DN25	DN25	DN25	DN25	
Application area	m ²	20-35	28-50	40-70	55-95	60-105	
Stuffing quantity(Set)	40' HQ	150	95	70	60	60	

R410A Cooling Only

Indoor unit		CUA-18CR1	CUA-24CR1	CUA-36CR1	CUA-48CR1	CUA-60CR1	
Power supply	V/Ph/Hz	220-240/1/50	220-240/1/50	220-240/1/50	220-240/1/50	220-240/1/50	
Capacity							
Cooling	Capacity	Btu/h	18000	24000	36000	48000	60000
		KW	5.3	7.1	10.5	14	16
	Input	W	130	150	300	260	260
	Rated current	A	0.3	0.7	1.4	1.15	1.15
	EER	W/W	2.61	2.78	2.62	2.66	2.68
Physical data							
Indoor air flow(Hi/Med/Lo)	m ³ /h	790/670/540	1300/1050/900	1700/1300/1100	2300/1900/1500	2300/1900/1500	
Indoor noise level(Hi/Med/Lo)	dB(A)	52/48/44	48/43/39	52/48/44	57/52/48	57/52/48	
Dimension(W×H×D)	mm	880×635×203	1245×680×247	1245×680×247	1670×680×247	1670×680×247	
Packing dimension(W×H×D)	mm	970×725×301	1325×770×325	1325×770×325	1750×770×325	1750×770×325	
Net/Gross weight	kg	30/35	35/41	37/43	47/54	47/54	
Refrigerant type		R410A	R410A	R410A	R410A	R410A	
Piping data							
Liquid side/Gas side	mm	Φ6.35/Φ12.7	Φ9.52/Φ15.88	Φ9.52/Φ19.05	Φ9.52/Φ19.05	Φ9.52/Φ19.05	
Drainag pipe	mm	DN25	DN25	DN25	DN25	DN25	
Application area	m ²	20-35	28-50	40-70	55-95	60-105	
Stuffing quantity(Set)	40' HQ	150	95	70	60	60	

Low ESP Short Ducted Unit

R22 Heat Pump

Indoor unit		CUA-18H	CUA-24H	CUA-30H	CUA-36H	CUA-48H	CUA-60H	
Power supply	V/Ph/Hz	220-240/1/50	220-240/1/50	220-240/1/50	220-240/1/50	220-240/1/50	220-240/1/50	
Capacity								
Cooling	Capacity	Btu/h	18000	24000	30000	36000	48000	60000
		KW	5.3	7.1	8.8	10.5	14	16
	Input	W	130	150	260	240	330	330
	Rated current	A	0.6	0.7	1.2	1.1	1.5	1.15
Heating	EER	W/W	2.77	2.86	2.58	2.6	2.53	2.65
	Capacity	Btu/h	20000	26000	32000	39000	52000	60000
		KW	5.8	7.8	9.3	11.5	15.4	16.6
	Input	W	130	150	260	240	330	330
Rated current	A	0.6	0.7	1.2	1.1	1.5	1.15	
COP	W/W	3.31	3.41	2.92	2.95	2.79	2.68	
Physical data								
Indoor air flow(Hi/Med/Lo)	m³/h	790/670/540	1300/1100/900	1450/1300/1050	1500/1300/1100	2300/1900/1600	2300/1900/1600	
Indoor noise level(Hi/Med/Lo)	dB(A)	48/43/38	48/43/39	50/47/44	50/47/44	52/48/45	52/48/45	
Dimension(W×H×D)	mm	880×635×203	1245×680×235	1245×680×244	1245×680×244	1670×680×244	1670×680×244	
Packing dimension(W×H×D)	mm	970×711×301	1325×770×325	1325×770×325	1325×770×325	1750×770×330	1750×770×330	
Net/Gross weight	Kg	30/32	35/41	35/41	37/43	47/54	47/54	
Refrigerant type		R22	R22	R22	R22	R22	R22	
Piping data								
Liquid side/Gas side	mm	Φ6.35/Φ12.7	Φ9.52/Φ15.88	Φ9.52/Φ15.88	Φ9.52/Φ19.05	Φ9.52/Φ19.05	Φ9.52/Φ19.05	
Drainage pipe	mm	DN25	DN25	DN25	DN25	DN25	DN25	
Application area	m²	20-35	28-50	35-60	40-70	55-95	60-105	
Stuffing quantity(Set)	40' HQ	150	95	95	70	60	60	

R22 Cooling Only

Indoor unit		CUA-18C	CUA-24C	CUA-30C	CUA-36C	CUA-48C	CUA-60C	
Power supply	V/Ph/Hz	220-240/1/50	220-240/1/50	220-240/1/50	220-240/1/50	220-240/1/50	220-240/1/50	
Capacity								
Cooling	Capacity	Btu/h	18000	24000	30000	36000	48000	60000
		KW	5.3	7.1	8.8	10.5	14	16
	Input	W	130	150	260	240	330	330
	Rated current	A	0.6	0.7	1.2	1.1	1.5	1.15
EER	W/W	2.77	2.86	2.58	2.6	2.53	2.65	
Physical data								
Indoor air flow(Hi/Med/Lo)	m³/h	790/670/540	1300/1100/900	1450/1300/1050	1500/1300/1100	2300/1900/1600	2300/1900/1600	
Indoor noise level(Hi/Med/Lo)	dB(A)	48/43/38	48/43/39	50/47/44	50/47/44	52/48/45	52/48/45	
Dimension(W×H×D)	mm	880×635×203	1245×680×235	1245×680×244	1245×680×244	1670×680×244	1670×680×244	
Packing dimension(W×H×D)	mm	970×711×301	1325×770×325	1325×770×325	1325×770×325	1750×770×330	1750×770×330	
Net/Gross weight	Kg	30/32	35/41	35/41	37/43	47/54	47/54	
Refrigerant type		R22	R22	R22	R22	R22	R22	
Piping data								
Liquid side/Gas side	mm	Φ6.35/Φ12.7	Φ9.52/Φ15.88	Φ9.52/Φ15.88	Φ9.52/Φ19.05	Φ9.52/Φ19.05	Φ9.52/Φ19.05	
Drainage pipe	mm	DN25	DN25	DN25	DN25	DN25	DN25	
Application area	m²	20-35	28-50	35-60	40-70	55-95	60-105	
Stuffing quantity(Set)	40' HQ	150	95	95	70	60	60	



9K-24K Btu/h

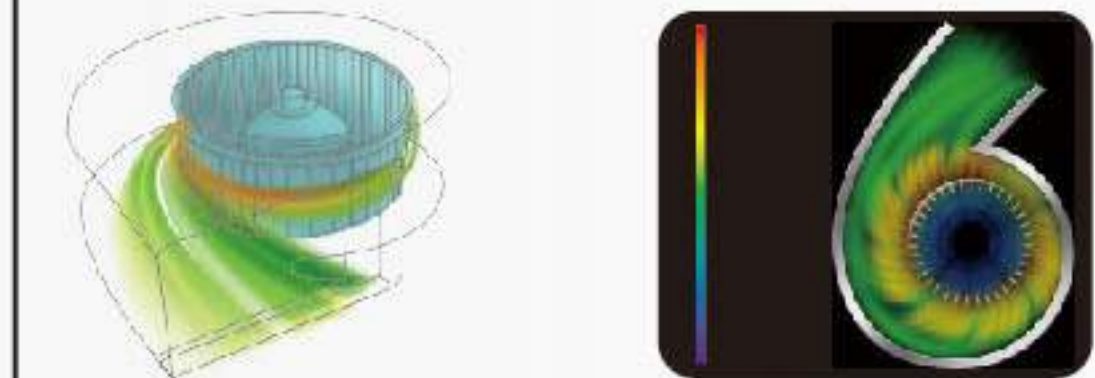
Controller		
Standard	Optional	
Wired	Wired	Wireless

Features:

1 Short body, 815mm length, easy to install, low noise and light weight, suitable for hotel room.



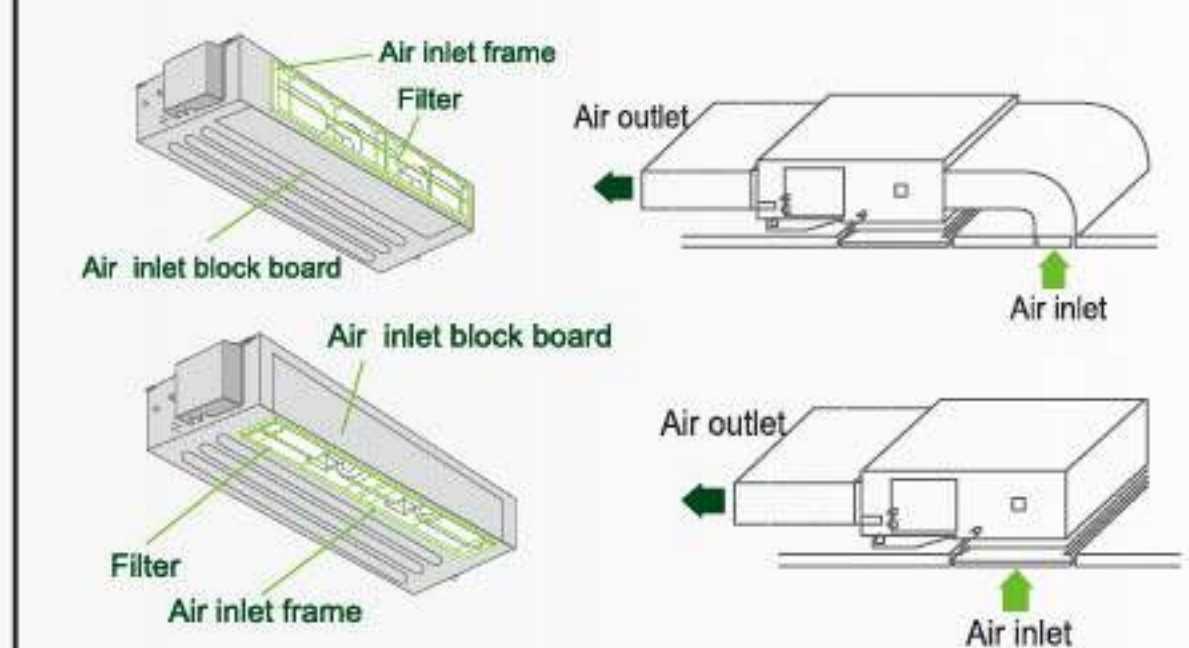
2 Adopting aviation centrifugal fan blade with special air tunnel design, as well as fan motor anti-vibration measure, benefit to increase air flow and decrease the noise.



3 V shaped evaporator design, increasing the heating exchanger efficiency.



4 Air return method is optional by actual installation, from rear or from bottom.



5 Three fan speed, meeting different requirement.



6 Water pump is optional, pump head is up to 750mm.

7 Multi protection and auto-restart function.

Specification

R22 Cooling Only And Heat Pump

Indoor unit		CTA-9C	CTA-9H	CTA-12C	CTA-12H	CTA-18C	CTA-18H	CTA-24C	CTA-24H	
Power supply	V/Ph/Hz	220-240/1/50	220-240/1/50	220-240/1/50	220-240/1/50	220-240/1/50	220-240/1/50	220-240/1/50	220-240/1/50	
Capacity										
Cooling	Capacity	Btu/h	9000	9000	12000	12000	18000	18000	24000	24000
		KW	2.6	2.6	3.5	3.5	5.3	5.3	7.1	7.1
	Input	W	1010	1010	1380	1380	1850	1850	2460	2460
	Rated current	A	0.2	0.2	0.3	0.3	0.3	0.3	0.6	0.6
	EER	W/W	2.57	2.57	2.54	2.54	2.86	2.86	2.89	2.89
Heating	Capacity	Btu/h	/	10000	/	13000	/	20000	/	27000
		KW	/	2.9	/	3.8	/	5.7	/	7.911
	Input	W	/	940	/	1280	/	1700	/	2420
	Rated current	A	/	0.2	/	0.3	/	0.3	/	0.6
	COP	W/W	/	3.04	/	3.01	/	3.43	/	3.27
Physical data										
Indoor air flow(Hi)	m³/h	520	520	650	650	900	900	1100	1100	
Static Pressure	Pa	30	30	30	30	30	30	30	30	
Indoor noise level	dB(A)	26~32	26~32	29~34	29~34	32~38	32~38	35~41	35~41	
Dimension(W×H×D)	mm	815X467X210	815X467X210	815X467X210	815X467X210	815X467X210	1015X467X210	1215X467X210	1215X467X210	
Packing(W×H×D)	mm	910×510×240	910×510×240	910×510×240	910×510×240	1110×510×240	1110×510×240	1310×510×240	1310×510×240	
Net/Gross weight	kg	17.5/20.5	17.5/20.5	17.5/20.5	17.5/20.5	21/25	21/25	27/30.5	27/30.5	
Refriarant type		R22	R22	R22	R22	R22	R22	R22	R22	
Piping data										
Liquide side/Gas side	mm	Φ6.35/Φ9.52	Φ6.35/Φ9.52	Φ6.35/Φ12.7	Φ6.35/Φ12.7	Φ6.35/Φ12.7	Φ6.35/Φ12.7	Φ9.52/Φ15.88	Φ9.52/Φ15.88	
Drainage pipe	mm	DN25	DN25	DN25	DN25	DN25	DN25	DN25	DN25	
Application area	m²	10~20	10~20	15~25	15~25	20~35	20~35	28~50	28~50	
Stuffing quantity(Set)	40'HQ	170	170	150	150	150	150	130	130	

R410A Cooling Only And Heat Pump

Indoor unit		CTA-18HR1	CTA-18CR1	CTA-24HR1	CTA-24CR1	
Power supply	V/Ph/Hz	220~240V/1Ph/50Hz	220~240V/1Ph/50Hz	220~240V/1Ph/50Hz	220~240V/1Ph/50Hz	
Capacity						
Cooling	Capacity	Btu/h	18000	18000	24000	24000
		KW	5.3	5.3	7.1	7.1
	Input	W	1980	1980	2550	2550
	Rated current	A	0.34	0.34	0.7	0.7
	EER	W/W	2.66	2.66	2.76	2.76
Heating	Capacity	Btu/h	20000	/	26000	/
		KW	5.9	/	7.6	/
	Input	W	1710	/	2250	/
	Rated current	A	0.34	/	0.7	/
	COP	W/W	3.43	/	3.39	/
Physical data						
Indoor air flow(Hi)	m³/h	900	900	1100	1100	
Static Pressure	Pa	0/30	0/30	0/30	0/30	
Indoor noise level	dB(A)	32~38	32~38	35~41	35~41	
Dimension(W×H×D)	mm	1015×210×467	1015×210×467	1215×210×467	1215×210×467	
Packing(W×H×D)	mm	1110×240×510	1110×240×510	1310×240×510	1310×240×510	
Net/Gross weight	kg	21/25	21/25	27/30.5	27/30.5	
Refriarant type		R410A	R410A	R410A	R410A	
Piping data						
Liquide side/Gas side	mm	Φ6.35/Φ12.7	Φ6.35/Φ12.7	Φ9.52/Φ15.88	Φ9.52/Φ15.88	
Drainage pipe	mm	DN25	DN25	DN25	DN25	
Application area	m²	20~35	20~35	28~50	28~50	
Stuffing quantity(Set)	40'HQ	150	150	130	130	

Medium ESP Ducted Unit



18K-60K Btu/h

Controller

Standard	Optional	
Wired	Wired	Wireless

Features:

- Ultra-thin body design.

260mm
Medium ESP Type
- Adopting aviation centrifugal fan blade with special air tunnel design, as well as fan motor anti-vibration measure, benefit to increase air flow and decrease the noise.
- Three fan speed, meeting different requirements.
- 30Pa ESP design for the medium static pressure duct type, duct connected installation meet for different room structure (Can be customized to 70Pa ESP).
- Filter is optional, it can be taken out easily for clean.
- Multi protection and auto-restart function.
- Body-side is E-box, convenient installation and maintenance.
- Air return method is optional by actual installation, from rear or from bottom.

Specification

R410A Heat Pump



Indoor unit			CTB-18HR1-B	CTB-24HR1	CTB-36HR1-B	CTB-36HR1	CTB-48HR1	CTB-60HR1
Power supply		V/Ph/Hz	220-240/1/50	220-240/1/50	220-240/1/50	220-240/1/50	220-240/1/50	220-240/1/50
Capacity								
Cooling	Capacity	Btu/h	18000	24000	36000	36000	48000	60000
		KW	5.3	7.1	10.5	10.5	14	16
	Input	W	250	250	300	300	340	340
	Rated current	A	1.1	1.1	1.4	1.4	1.6	1.6
Heating	Capacity	Btu/h	19800	26000	39000	39000	52000	60000
		KW	5.9	7.7	11.5	11.5	15.2	16.0
	Input	W	250	250	300	300	340	340
	Rated current	A	1.1	1.1	1.4	1.4	1.6	1.6
COP		W/W	3.04	3.28	3.18	3.18	2.79	2.61
Physical data								
Indoor air flow(Hi/Med/Lo)		m³/h	900/750/640	1200/980/720	14000/1150/960	1900/1600/1300	2000/1700/1400	2000/1700/1400
Static Pressure		Pa	30~70	30~70	30~70	30~70	30~70	30~70
Indoor noise level(Hi/Med/Lo)		dB(A)	48/44/40	48/44/40	47/44/40	50/45/40	50/45/40	50/45/40
Dimension(W×H×D)		mm	1189×260×643	1189×260×643	1189×260×643	1425×260×643	1425×260×643	1425×260×643
Packing dimension(W×H×D)		mm	1255×325×720	1255×325×720	1255×325×720	1490×325×720	1490×325×720	1490×325×720
Net/Gross weight		kg	33/36	32/37	33/37	44/48	44/48	44/48
Refrigerant type			R410A	R410A	R410A	R410A	R410A	R410A
Piping data								
Liquid side/Gas side		mm	Φ6.35/Φ12.7	Φ9.52/Φ15.88	Φ9.52/Φ19.05	Φ9.52/Φ19.05	Φ9.52/Φ19.05	Φ9.52/Φ19.05
Drainag pipe		mm	DN25	DN25	DN25	DN25	DN25	DN25
Application area		m²	20~35	28~50	40~70	40~70	55~95	60~105
Stuffing quantity (Set)		40' HQ	100	100	100	70	60	60

R22 Heat Pump

Indoor unit			CTB-24H	CTB-30H	CTB-36H	CTB-48H	CTB-60H	
Power supply		V/Ph/Hz	220-240/1/50	220-240/1/50	220-240/1/50	220-240/1/50	220-240/1/50	
Capacity								
Cooling	Capacity	Btu/h	24000	30000	36000	48000	60000	
		KW	7.1	8.8	10.5	14	16	
	Input	W	190	250	340	340	340	
	Rated current	A	0.9	1.2	1.6	1.6	1.6	
Heating	Capacity	Btu/h	26000	32000	39000	52000	60000	
		KW	7.8	9.3	11.5	15.4	16.6	
	Input	W	190	250	340	340	340	
	Rated current	A	0.9	1.2	1.6	1.6	1.6	
COP		W/W	3.35	2.93	2.87	2.82	2.61	
Physical data								
Indoor air flow(Hi/Med/Lo)		m³/h	1150/1000/820	1350/1050/950	1900/1600/1300	2000/1700/1400	2000/1700/1400	
Static Pressure		Pa	30~70	30~70	30~70	30~70	30~70	
Indoor noise level(Hi/Med/Lo)		dB(A)	48/44/40	50/45/40	50/45/40	50/45/40	50/45/40	
Dimension(W×H×D)		mm	1190×260×643	1190×260×643	1425×260×643	1425×260×643	1425×260×643	
Packing dimension(W×H×D)		mm	1255×325×720	1255×325×720	1490×325×720	1490×325×720	1490×325×720	
Net/Gross weight		kg	32/36	32/36	44/48	46/50	46/50	
Refrigerant type			R22	R22	R22	R22	R22	
Piping data								
Liquid side/Gas side		mm	Φ9.52/Φ15.88	Φ9.52/Φ15.88	Φ9.52/Φ19.05	Φ9.52/Φ19.05	Φ9.52/Φ19.05	
Drainag pipe		mm	DN25	DN25	DN25	DN25	DN25	
Application area		m²	28~50	35~60	40~70	55~95	60~105	
Stuffing quantity (Set)		40' HQ	100	100	70	60	60	

R410A Cooling Only



Indoor unit			CTB-18CR1-B	CTB-24CR1	CTB-36CR1-B	CTB-36CR1	CTB-48CR1	CTB-60CR1
Power supply		V/Ph/Hz	220-240/1/50	220-240/1/50	220-240/1/50	220-240/1/50	220-240/1/50	220-240/1/50
Capacity								
Cooling	Capacity	Btu/h	18000	24000	36000	36000	48000	60000
		KW	5.3	7.1	10.5	10.5	14	16
	Input	W	250	250	300	300	340	340
	Rated current	A	1.1	1.1	1.4	1.4	1.6	1.6
Heating	Capacity	Btu/h	19800	26000	39000	39000	52000	60000
		KW	5.9	7.7	11.5	11.5	15.2	16.0
	Input	W	250	250	300	300	340	340
	Rated current	A	1.1	1.1	1.4	1.4	1.6	1.6
COP		W/W	3.04	3.28	3.18	3.18	2.79	2.61
Physical data								
Indoor air flow(Hi/Med/Lo)		m³/h	900/750/640	1200/980/720	1400/1150/960	1900/1600/1300	2000/1700/1400	2000/1700/1400
Static Pressure		Pa	30~70	30~70	30~70	30~70	30~70	30~70
Indoor noise level(Hi/Med/Lo)		dB(A)	48/44/40	48/44/40	47/44/40	50/45/40	50/45/40	50/45/40
Dimension(W×H×D)		mm	1189×260×643	1189×260×643	1189×260×643	1425×260×643	1425×260×643	1425×260×643
Packing dimension(W×H×D)		mm	1255×325×720	1255×325×720	1255×325×720	1490×325×720	1490×325×720	1490×325×720
Net/Gross weight		kg	33/36	32/36	33/37	44/48	46/50	46/50
Refrigerant type			R410A	R410A	R410A	R410A	R410A	R410A
Piping data								
Liquid side/Gas side		mm	Φ6.35/Φ12.7	Φ9.52/Φ15.88	Φ9.52/Φ19.05	Φ9.52/Φ19.05	Φ9.52/Φ19.05	Φ9.52/Φ19.05
Drainag pipe		mm	DN25	DN25	DN25	DN25	DN25	DN25
Application area		m²	20~35	28~50	40~70	40~70	55~95	60~105
Stuffing quantity (Set)		40' HQ	100	100	100	70	60	60

R22 Cooling Only

Indoor unit			CTB-24C	CTB-30C	CTB-36C	CTB-48C	CTB-60C	
Power supply		V/Ph/Hz	220-240/1/50	220-240/1/50	220-240/1/50	220-240/1/50	220-240/1/50	
Capacity								
Cooling	Capacity	Btu/h	24000	30000	36000	48000	60000	
		KW	7.1	8.8	10.5	14	16	
	Input	W	190	250	340	340	340	
	Rated current	A	0.9	1.2	1.6	1.6	1.6	
Heating	Capacity	Btu/h	26000	32000	39000	52000	60000	
		KW	7.8	9.3	11.5	15.4	16.6	
	Input	W	190	250	340	340	340	
	Rated current	A	0.9	1.2	1.6	1.6	1.6	
COP		W/W	3.35	2.93	2.87	2.82	2.61	
Physical data								
Indoor air flow(Hi/Med/Lo)		m³/h	1150/1000/820	1350/1050/950	1900/1600/1300	2000/1700/1400	2000/1700/1400	
Static Pressure		Pa	30~70	30~70	30~70	30~70	30~70	
Indoor noise level(Hi/Med/Lo)		dB(A)	48/44/40	50/45/40	50/45/40	50/45/40	50/45/40	
Dimension(W×H×D)		mm	1190×260×643	1190×260×643	1425×260×643	1425×260×643	1425×260×643	
Packing dimension(W×H×D)		mm	1255×325×720	1255×325×720	1490×325×720	1490×325×720	1490×325×720	
Net/Gross weight		kg	32/36	32/36	44/48	46/50	46/50	
Refrigerant type			R22	R22	R22	R22	R22	
Piping data								
Liquid side/Gas side		mm	Φ9.52/Φ15.88	Φ9.52/Φ15.88	Φ9.52/Φ19.05	Φ9.52/Φ19.05	Φ9.52/Φ19.05	
Drainag pipe		mm	DN25	DN25	DN25	DN25	DN25	
Application area		m²	28~50	35~60	40~70	55~95	60~105	
Stuffing quantity (Set)		40' HQ	100	100	70	60	60	

High ESP Ducted Type Unit

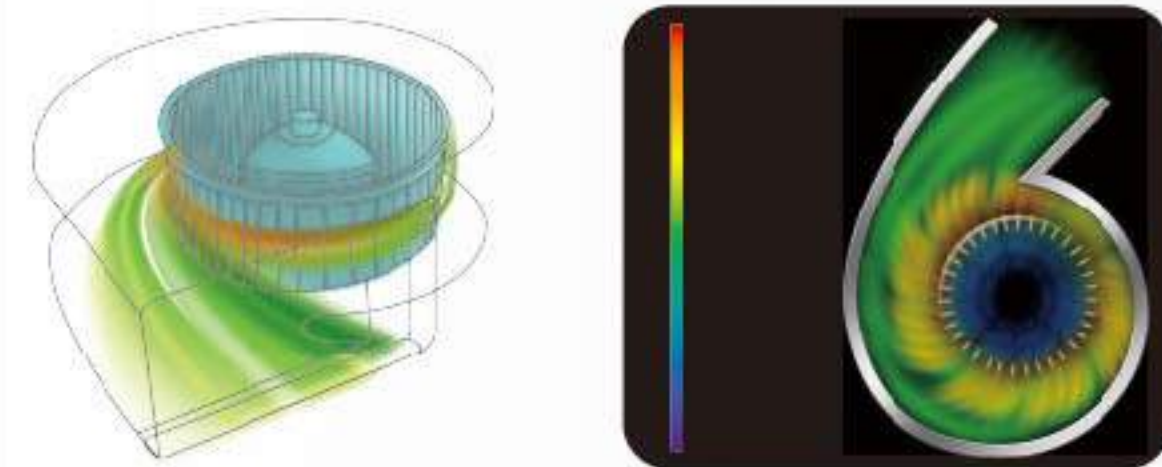


48k~60k Btu/h

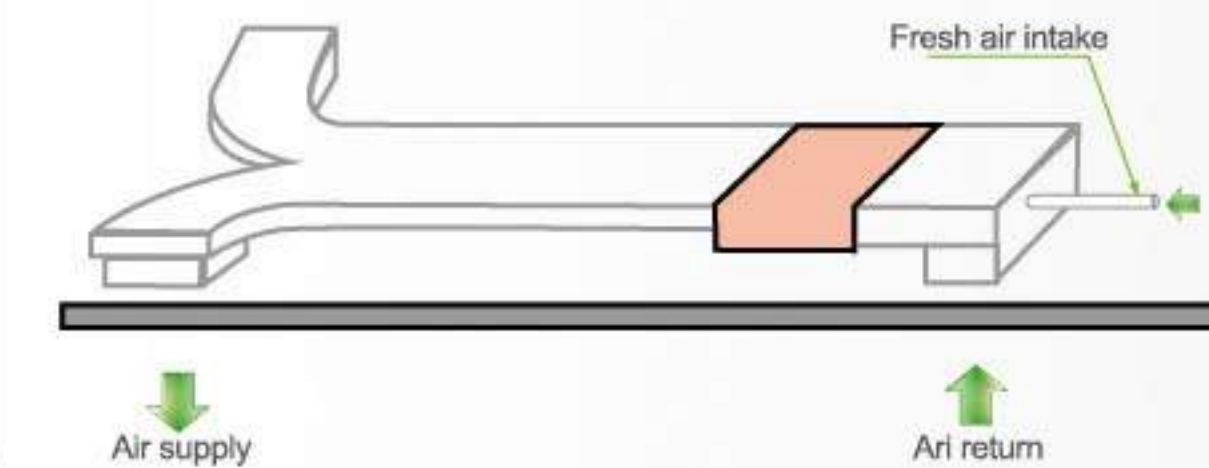
Controller		
Standard	Optional	
Wired	Wired	Wireless
		

Features:

1 Centrifugal fan, low noise and big airflow.

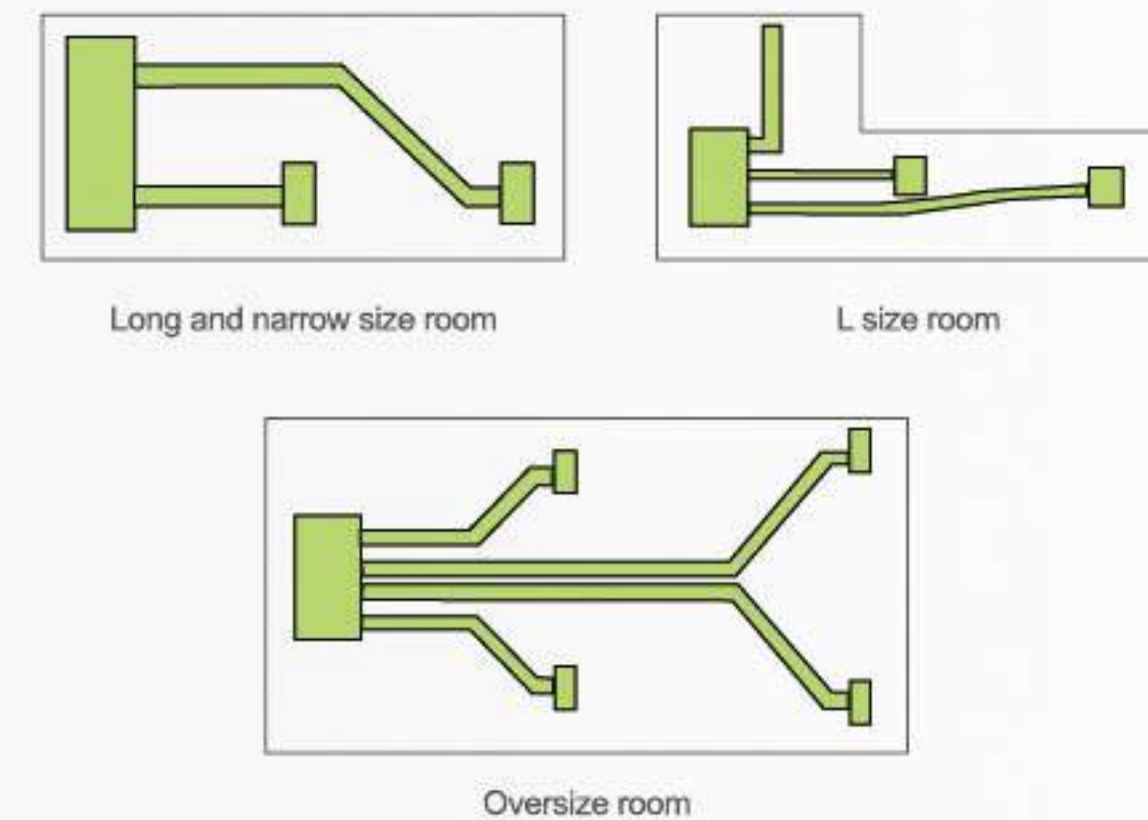


2 Install a duct to outside in the air return side, realize the fresh air intake and keep room air fresh.



3 Filter is optional, easy to take out and clean.

4 120Pa ESP is standard, it is suitable for long distance air supply and flexible air duct installation. Specially for different irregular size room.



5 In order to discharge condensate water reliably, water pump is optional.



6 Multi protection and auto-restart function.

Specification

R410A Heat Pump



Indoor unit		CTH-48HR1	CTH-60HR1
power supply	V/Ph/Hz	220-240/1/50	220-240/1/50
Capacity			
Cooling	Capacity	Btu/h	48000
		KW	14
	Input	W	500
	Rated current	A	2.3
	EER	W/W	2.55
Heating	Capacity	Btu/h	52500
		KW	15.2
	Input	W	500
	Rated current	A	2.3
	COP	W/W	2.71
Physical data			
Indoor air flow(Hi/Med/Lo)	m ³ /h	2300/1900/1500	2300/1900/1500
Static pressure	pa	120	120
Indoor noise level(Hi/Med/Lo)	dB(A)	52/48/44	52/48/44
Dimension(WxHxD)	mm	1175×370×625	1175×370×625
Packing(WxHxD)	mm	1245×445×655	1245×445×655
Net/Gross weight	Kg	45/49	45/49
Refrigerant type		R410A	R410A
Piping data			
Liquid side/Gas side	mm	Φ9.52/Φ19.05	Φ9.52/Φ19.05
Drainage pipe	mm	DN25	DN25
Application area	m ²	55~95	60~105
Stuffing quantity(Set)	40HQ	57	57

R410A Cooling Only



Indoor unit		CTH-48CR1	CTH-60CR1
power supply	V/Ph/Hz	220-240/1/50	220-240/1/50
Capacity			
Cooling	Capaci	Btu/h	48000
		KW	14
	Input	W	500
	Rated current	A	2.3
	EER	W/W	2.55
Physical data			
Indoor air flow(Hi/Med/Lo)	m ³ /h	2300/1900/1500	2300/1900/1500
Static pressure	Pa	120	120
Indoor noise level(Hi/Med/Lo)	dB(A)	52/48/44	52/48/44
Dimension(WxHxD)	mm	1175×370×625	1175×370×625
Packing(WxHxD)	mm	1245×445×655	1245×445×655
Net/Gross weight	Kg	45/49	45/49
Refrigerant type		R410A	R410A
Piping data			
Liquid side/Gas side	mm	Φ9.52/Φ19.05	Φ9.52/Φ19.05
Drainage pipe	mm	DN25	DN25
Application area	m ²	55~95	60~105
Stuffing quantity(Set)	40HQ	57	57

R22 Heat Pump

Indoor unit		CTH-48H	CTH-60H
power supply	V/Ph/Hz	220-240/1/50	220-240/1/50
Capacity			
Cooling	Capacity	Btu/h	48000
		KW	14
	Input	W	500
	Rated current	A	2.3
	EER	W/W	2.44
Heating	Capacity	Btu/h	52000
		KW	15.4
	Input	W	500
	Rated current	A	10.1
	COP	W/W	2.74
Physical data			
Indoor air flow(Hi/Med/Lo)	m ³ /h	2000/1700/1400	2300/2000/1700
Static pressure	pa	120	120
Indoor noise level(Hi/Med/Lo)	dB(A)	52/48/44	52/48/44
Dimension(WxHxD)	mm	1175×370×625	1175×370×625
Packing(WxHxD)	mm	1245×445×655	1245×445×655
Net/Gross weight	Kg	48/53	48/53
Refrigerant type		R22	R22
Piping data			
Liquid side/Gas side	mm	Φ9.52/Φ19.05	Φ9.52/Φ19.05
Drainage pipe	mm	DN25	DN25
Application area	m ²	55~95	60~105
Stuffing quantity(Set)	40HQ	57	57

R22 Cooling Only

Indoor unit		CTH-48C	CTH-60C
power supply	V/Ph/Hz	220-240/1/50	220-240/1/50
Capacity			
Cooling	Capaci	Btu/h	48000
		KW	14
	Input	W	500
	Rated current	A	2.3
	EER	W/W	2.44
Physical data			
Indoor air flow(Hi/Med/Lo)	m ³ /h	2000/1700/1400	2300/2000/1700
Static pressure	Pa	120	120
Indoor noise level(Hi/Med/Lo)	dB(A)	52/48/44	52/48/44
Dimension(WxHxD)	mm	1175×370×625	1175×370×625
Packing(WxHxD)	mm	1245×445×655	1245×445×655
Net/Gross weight	Kg	48/53	48/53
Refrigerant type		R22	R22
Piping data			
Liquid side/Gas side		Φ9.52/Φ19.05	Φ9.52/Φ19.05
Drainage pipe	mm	DN25	DN25
Application area	m ²	55~95	60~105
Stuffing quantity(Set)	40HQ	57	57

8/10HP Outdoor Unit



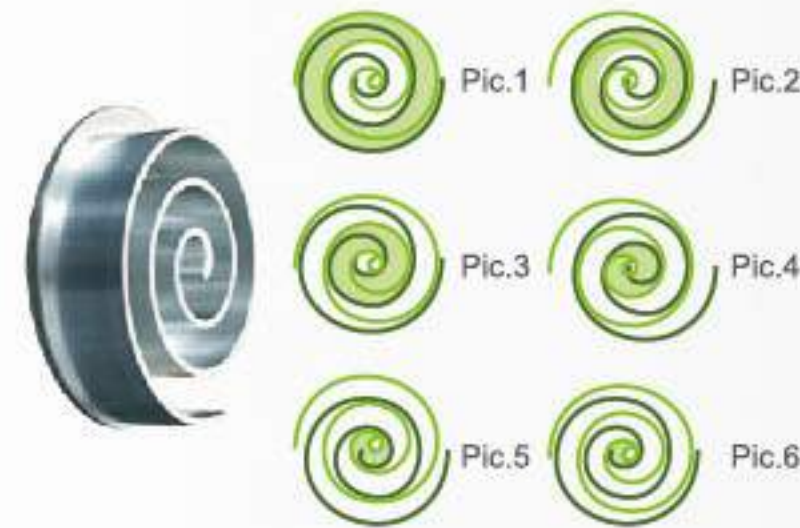
96K Btu/h



70/96K Btu/h

Features:

- 1 Famous scroll compressor with quick reactivity, stronger power and operation stable. Anti-attenuation design and better low-temperature heating performance.
- 2 Two compressors and two independent piping systems.

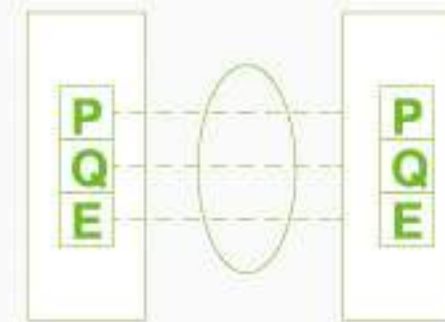


Fixed Scroll
Active Scroll
Compressing A

■ Scroll Comp. ■ Scroll Plate ■ Working Principle



- 3 RS485 communication, using 2/3 core shield wire, universal type, no need special training for installation workers.



- 4 Matching mode

10Hp Ducted unit	10Hp Floor-standing unit	10Hp 1 drive 2	10Hp Fresh air unit

Specification

R22 Cooling only & Heat pump

Outdoor unit		COU-70CZ	COU-70HZ	COU-96CZ	COU-96HZ	COT-96CZ	COT-96HZ
Power supply	V/Ph/Hz	380-415/3/50	380-415/3/50	380-415/3/50	380-415/3/50	380-415/3/50	380-415/3/50
	Btu/h	70000	70000	96000	96000	96000	96000
	KW	20	20	28	28	28	28
Cooling capacity	Input	9500	9500	9100	9100	9400	9400
	Btu/h	\	77000	/	105000	/	105000
Heating capacity	KW	\	30	/	30	/	30
	Input	\	8000	/	8200	/	9200
Physicial data							
Outdoor air flow	m ³ /h	8000	8000	12000	12000	12000	12000
Outdoor noise level	dB(A)	59	59	59	59	63	63
Net demision	mm	1120×400×1549	1120×400×1549	1120×400×1549	1120×400×1549	974×1618×766	974×1618×766
Packing dimension	mm	1278×560×1703	1278×560×1703	1278×560×1703	1278×560×1703	1030×1750×825	1030×1750×825
Net wight	kg	176	185	189	189	204	208
Gross wight	kg	196	205	209	209	221	225
Refrigerant type		R22	R22	R22	R22	R22	R22
Charge	g	2×2500	2×2500	2×2800	2×2800	2×5500	2×5500
Piping data							
Liquid side	mm	Φ9.52×2	Φ9.52×2	Φ9.52×2	Φ9.52×2	Φ9.52×2	Φ9.52×2
Gas side	mm	Φ19.05×2	Φ19.05×2	Φ19.05×2	Φ19.05×2	Φ19.05×2	Φ19.05×2
Max. refrigerant pipe	m	30	30	30	30	50	50
Max. difference in level	m	20	20	20	20	20	20
Application area	m ²	100~133	100~133	140~187	140~187	140~187	140~187
Product series		Side-discharge	Side-discharge	Side-discharge	Side-discharge	Top-discharge	Top-discharge

R410A Heat pump

Outdoor unit		COU-96HZR1	COT-96HZR1
Power supply	V/Ph/Hz	380-415/3/50	380-415/3/50
	Btu/h	96000	96000
	KW	28	28
Cooling capacity	Input	9960	9400
	Btu/h	105000	105000
Heating capacity	KW	30	30
	Input	9260	9000
Physicial data			
Outdoor air flow	m ³ /h	12000	12000
Outdoor noise level	dB(A)	59	63
Net demision	mm	1120×400×1549	974×1618×766
Packing dimension	mm	1278×560×1703	1030×1750×825
Net wight	kg	189	194
Gross wight	kg	209	200
Refrigerant type		R410A	R410A
Charge	g	2X2800	2×5000
Piping data			
Liquid side	mm	Φ9.52×2	Φ9.52×2
Gas side	mm	Φ19.05×2	Φ19.05×2
Max. refrigerant pipe	m	30	50
Max. difference in level	m	20	20
Application area	m ²	140~187	140~187
Product series		Side-discharge	Top-discharge

70K / 96K Btu/h Floor-standing Indoor Unit



70k/96k Btu/h

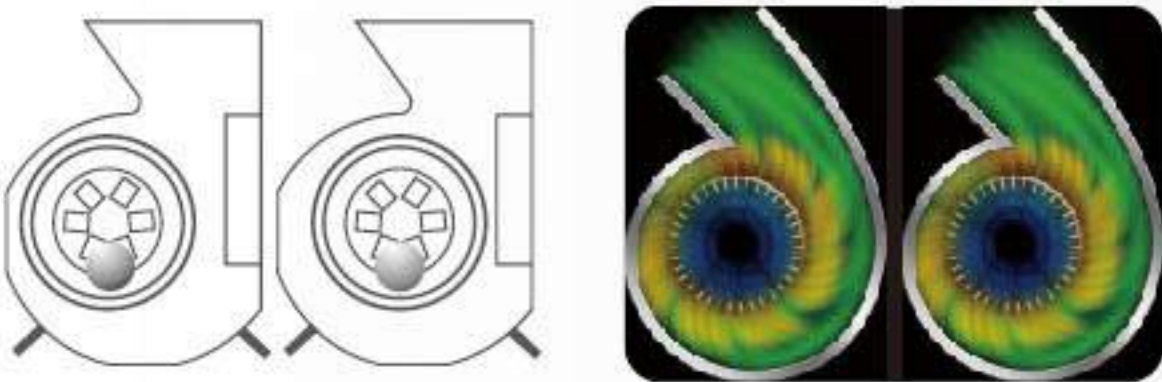


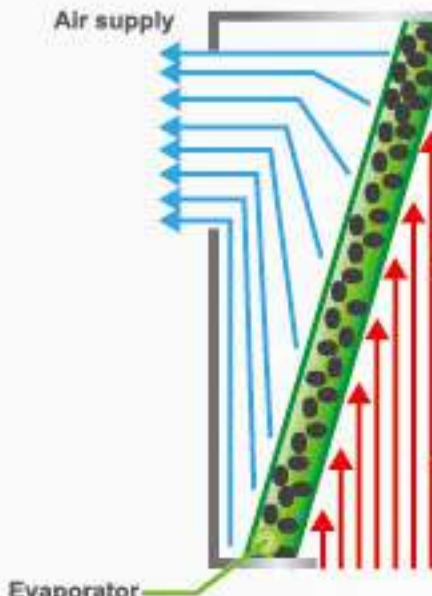
Standard


Optional


Features:


- Centrifugal fan blade, double CFD technology design, increasing air flow and decreasing noise level.


- New air flow system, larger heat-exchanging area, higher efficiency.


- Strong wind for horizontal air flow, supplying long distance, providing a stable and comfortable environment.


- Slim body, convenient to install and maintain.


- "ECO" key, pressuring to stop one system when indoor temperature down to setting value, saving energy and keeping comfortable. (Red panel is optional).



Specification

R22 Heat Pump

Indoor unit			CFAI-70H	CFAI-96H
Power supply		V/Ph/Hz	220~240/1/50	220~240/1/50
Capacity				
Cooling	Capacity	Btu/h	70000	96000
		KW	20	28
	Input	W	700	740
	EER	W/W	2.10	2.86
Heating	Capacity	Btu/h	77000	105000
		KW	22	30
	Input	W	700	740
	COP	W/W	3.60	3.16
Physical data				
Indoor air flow (H/M/L)	m ³ /h		4000/3600/3300	4000/3600/3300
Indoor noise level (H/M/L)	dB(A)		55/52/50	55/52/50
Net dimension (WxHxD)	mm		1200×1850×380	1200×1850×380
Packing dimension(WxHxD)	mm		1260×1970×400	1260×1970×400
Net weight	kg		130	130
Gross weight	kg		143	143
Refrigerant type			R22	R22
Piping data				
Liquid side	mm		Φ9.52X2	Φ9.52X2
Gas side	mm		Φ19.05X2	Φ19.05X2
Drainage pipe	mm		DN25	DN25
Application area	m ²		100~133	140~187
Stuffing quantity(Set)	40'HQ		18	18

R410A Heat Pump

Indoor unit			CFAI-96HR1
Power supply		V/Ph/Hz	220~240/1/50
Capacity			
Cooling	Capacity	Btu/h	96000
		KW	28
	Input	W	740
	EER	W/W	2.86
Heating	Capacity	Btu/h	105000
		KW	30
	Input	W	740
	COP	W/W	3.16
Physical data			
Indoor air flow(H/M/L)	m ³ /h		4000/3600/3300
Indoor noise level(H/M/L)	dB(A)		54/50/45
Net dimension (WxHxD)	mm		1200×1850×380
Packing dimension(WxHxD)	mm		1260×1970×400
Net weight	kg		130
Gross weight	kg		143
Refrigerant type			R410A
Piping data			
Liquid side	mm		Φ9.52X2
Gas side	mm		Φ19.05X2
Drainage pipe	mm		DN25
Application area	m ²		140~187
Stuffing quantity(Set)	40'HQ		18

R22 Cooling Only

Indoor unit			CFAI-70C	CFAI-96C
Power supply		V/ph/Hz	220~240/1/50	220~240/1/50
Capacity				
Cooling	Capacity	Btu/h	70000	96000
		KW	20	28
	Input	W	700	740
	EER	W/W	2.01	2.86
Physical data				
Indoor air flow (H/M/L)	m ³ /h		2500/2300/2000	4000/3600/3300
Indoor noise level (H/M/L)	dB(A)		52/48/45	55/52/50
Net dimension (WxHxD)	mm		1200×1850×380	1200×1850×380
Packing dimension(WxHxD)	mm		1260×1970×400	1260×1970×400
Net weight	kg		130	130
Gross weight	kg		143	143
refrigerant type			R22	R22
Piping data				
Liquid side	mm		Φ9.52X2	Φ9.52X2
Gas side	mm		Φ19.05X2	Φ19.05X2
Drainage pipe	mm		DN25	DN25
Application area	m ²		100~133	140~187
Stuffing quantity(Set)	40'HQ		18	18



96K Btu/h High ESP Ducted Indoor Unit

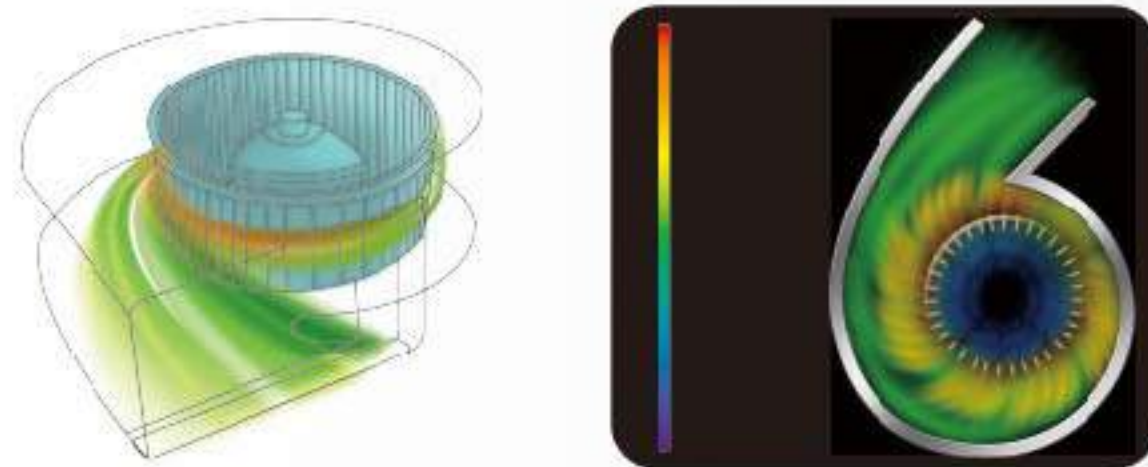


96K Btu/h

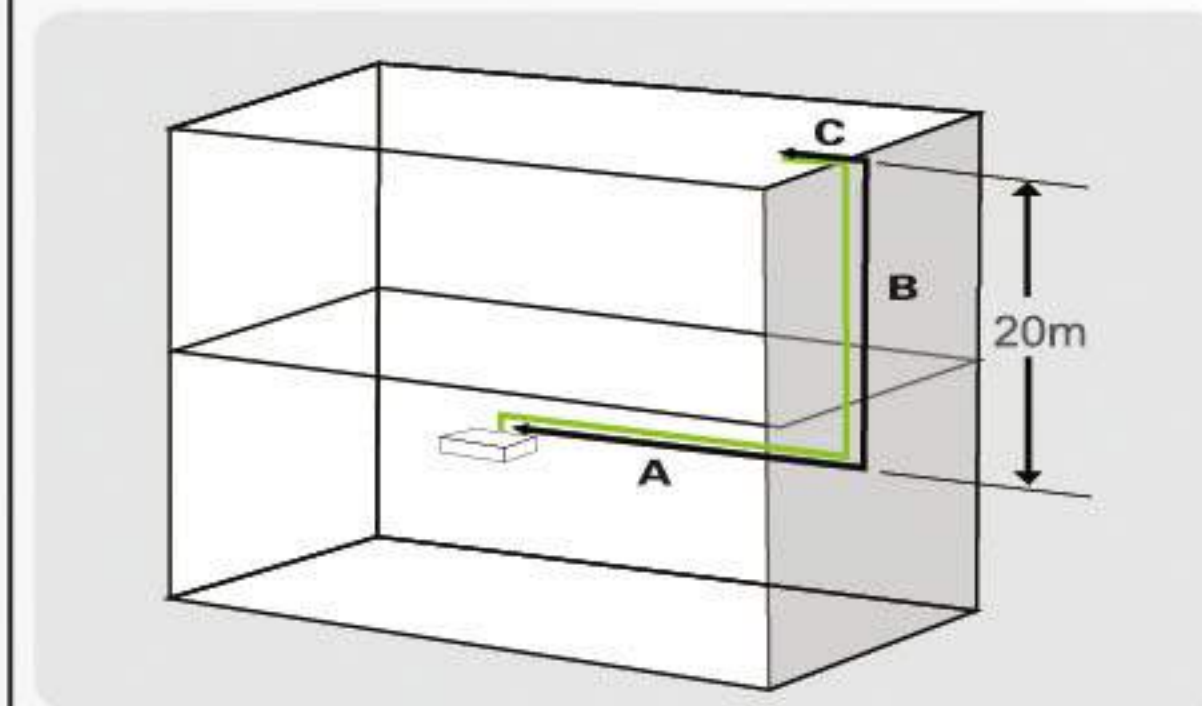
Controller		
Standard	Optional	
Wired	Wired	Wireless

Features:

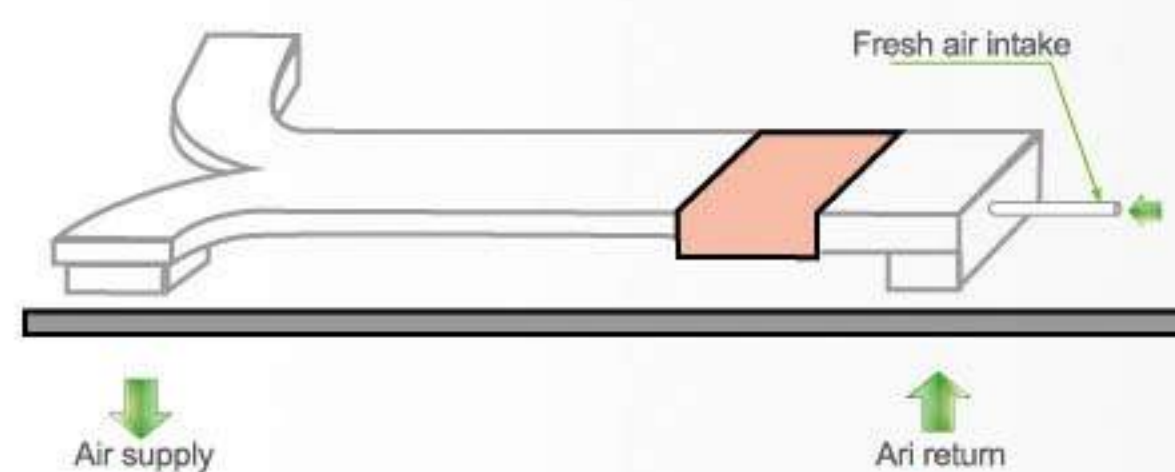
1 Centrifugal fan blade, increasing the air flow and decreasing the noise level.



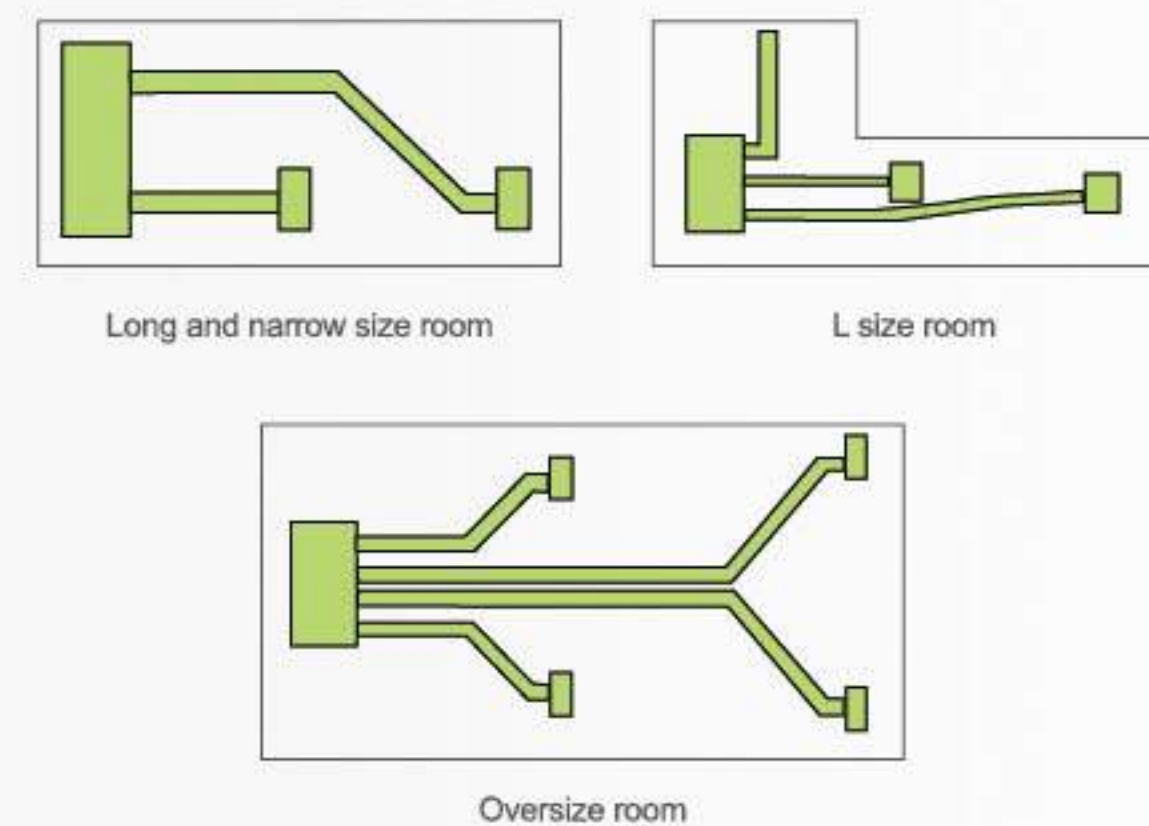
3 Max. refrigerant pipe length is 50m, Max. difference in height is 20m.



2 Install a duct to outside in the air return side, taking fresh air, more healthy and comfortable.



4 120Pa ESP is standard, it is suitable for long distance air supply and flexible air duct installation. Specially for different irregular size room.



Specification

R22 Heat Pump

Indoor unit		CTHI-96H	
power supply		V/Ph/Hz	220~240/1/50
Capacity			
Cooling	Capacity	Btu/h	96000
		KW	28
	EER	W/W	2.65
Heating	Capacity	Btu/h	105000
		KW	30
	COP	W/W	2.90
Physical data			
Indoor air flow (H/M/L)		m ³ /h	4400/3800/3300
Static pressure		Pa	120
Indoor noise level (H/M/L)		dB(A)	55/50/45
Dimension (WxHxD)		mm	1440×811×448
Packing (WxHxD)		mm	1595×855×560
Net/Gross weight		kg	100/104
Refrigerant type			R22
Piping data			
Liquid side/ Gas side		mm	(Φ9.52/Φ19.05)x2
Drainage pipe		mm	DN25
Application area		m ²	140~187
Stuffing quantity		40'HQ	47

R410A Heat Pump

Indoor unit		CTHI-96HR1	
power supply		V/Ph/Hz	220~240/1/50
Capacity			
Cooling	Capacity	Btu/h	96000
		KW	28
	EER	W/W	2.65
Heating	Capacity	Btu/h	105000
		KW	30
	COP	W/W	2.90
Physical data			
Indoor air flow (H/M/L)		m ³ /h	4400/3800/3300
Static pressure		Pa	120
Indoor noise level (H/M/L)		dB(A)	55/50/45
Dimension (WxHxD)		mm	1440×811×448
Packing (WxHxD)		mm	1595×855×560
Net/Gross weight		kg	100/104
Refrigerant type			R410A
Piping data			
Liquid side/ Gas side		mm	(Φ9.52/Φ19.05)x2
Drainage pipe		mm	DN25
Application area		m ²	140~187
Stuffing quantity		40'HQ	47

R22 Cooling Only


Indoor unit		CTHI-96C	
Power supply		V/Ph/Hz	220~240/1/50
Capacity			
Cooling	Capacity	Btu/h	96000
		KW	28
	EER	W/W	2.65
Physical data			
Indoor air flow (H/M/L)		m ³ /h	4400/3800/3300
Static pressure		Pa	120
Indoor noise level (H/M/L)		dB(A)	55/50/45
Dimension (WxHxD)		mm	1440×811×448
Packing (WxHxD)		mm	1595×855×560
Net/Gross weight		Kg	100/104
Refrigerant type			R22
Piping data			
Liquid side/ Gas side		mm	(Φ9.52/Φ19.05)x2
Drainage pipe		mm	DN25
Application area		m ²	140~187
Stuffing quantity		40'HQ	47



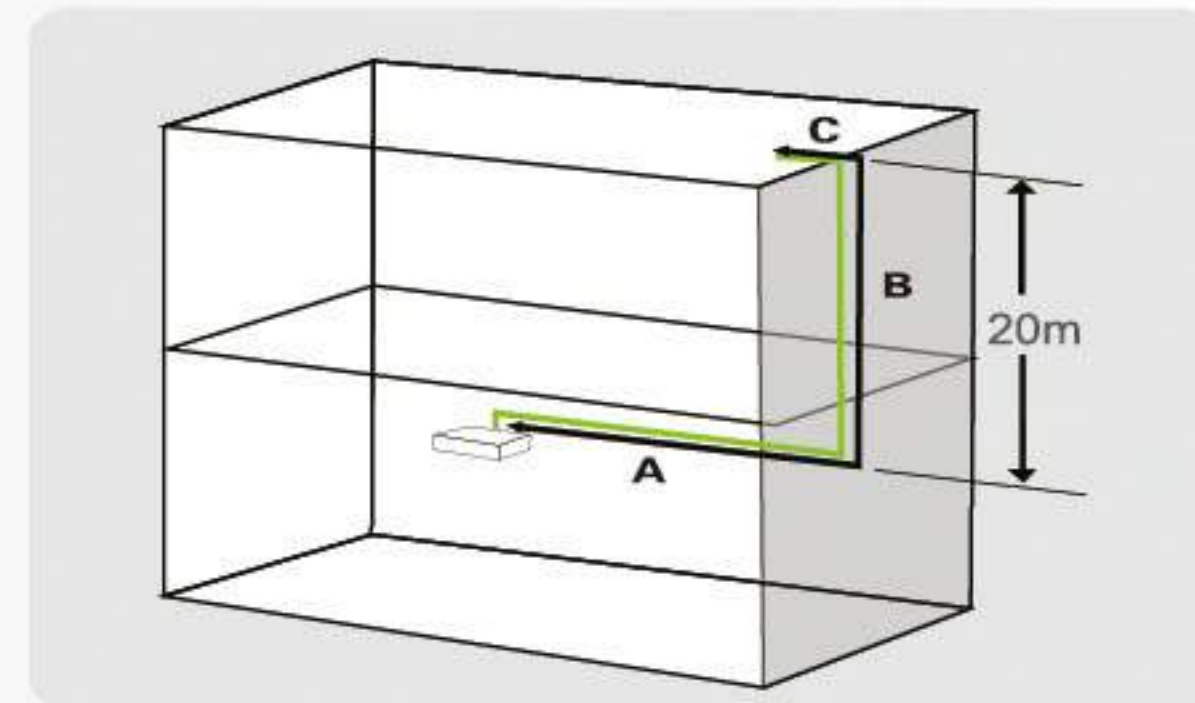
Compressor Condensing Unit (CCU)



Features:

- 1 | Chigo outdoor unit, can connect to any brand indoor unit or AHU, convenient for user to choose and install.
- 2 | Using thermal expansion valve as the throttling part to connect indoor and outdoor, has a wide adjustable range.
 
- 3 | Low ambient kit for optional, which can realize the unit operate when the outside ambient is -5 degree.
- 4 | Universal design for outdoor unit, has a wide range of adaptation with the indoor unit.

- 5 | Long piping design, Max. refrigerant pipe length is 50m, Max. difference in height is 20m (For 28kw, 45kw unit).



- 6 | Aesthetic appearance, same as the outdoor unit of new VRF (For 28kw, 45kw unit).



Specification

R410a Cooling Only



Outdoor unit		COU-18CR1-A	COU-24CR1-A	COU-36CR1-A	COU-48CZR1-A	COU-60CZR1-A	COU-96CZR1-A	COU-150CZR1-A
Power supply	V/Ph/Hz	220-240/1/50	220-240/1/50	220-240/1/50	380-415/3/50	380-415/3/50	380-415/3/50	380-415/3/50
Capacity								
Cooling	Capacity	Btu/h	18000	24000	36000	48000	60000	96000
		KW	5.3	7.1	10.5	14	16	28
	Input	W	1900	2400	4300	5230	5700	9400
	Rated current	A	8.8	10.6	19.8	8.8	10	19.5
Physical data								
Max. input consumption	W	2500	2800	5370	5800	6600	13000	18000
Max. current	A	12.6	14.1	27.1	9.7	11.8	24.3	33.6
Compressor	Type		Rotary	Rotary	Scroll	Scroll	Scroll	Scroll
	Brand		Hitachi	Hitachi	Sanyo	Sanyo	Sanyo	Sanyo
	Num		1	1	1	1	1	2
Outdoor motor fan	Speed	r/min	920	850	850	800	780	840
Outdoor air flow		m ³ /h	2800	3800	4800	5600	6000	12000
Outdoor noise level		dB(A)	53	57	58	60	60	63
Dimension(W*H*D)		mm	866×535×304	930×700×370	960×840×390	1070×995×400	911×1330×400	974×1618×766
Packing dimension(W*H*D)		mm	920×585×335	990×770×410	1030×950×435	1145×1120×475	964×1445×402	1030×1750×825
Net/Gross weight		kg	39/41	53/56	77/86	88/96	96/107	194/200
Refrigerant type/Quantity		g	R410A/1250	R410A/2100	R410A/2500	R410A/2100	R410A/3600	R410A/9500
Design pressure		MPa	4.0/1.2	4.0/1.2	4.0/1.2	4.0/1.2	4.0/1.2	4.0/1.2
Piping data								
Liquid side/Gas side		mm	Φ6.35/Φ12.7	Φ9.52/Φ15.88	Φ9.52/Φ15.88	Φ9.52/Φ19.05	Φ9.52/Φ19.05	Φ12.7/Φ25.4
Max. pipe length		m	15	20	20	20	20	50
Max. high drop		m	8	10	10	10	10	20

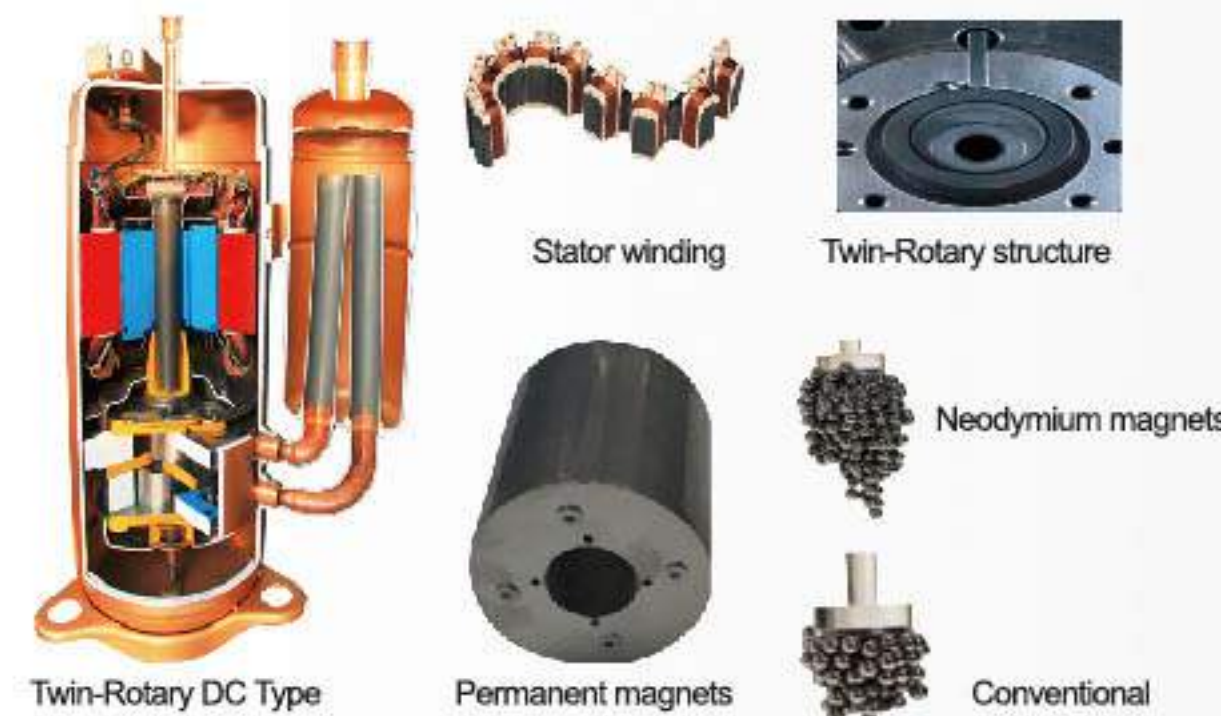
DC Inverter Light Commercial Universal Outdoor unit



12K/18K Btu/h 24K Btu/h 36K Btu/h 48K/60K Btu/h

Features:

1 High efficiency twin rotary DC inverter compressor, system can operate in the best performance due to adjustable frequency.



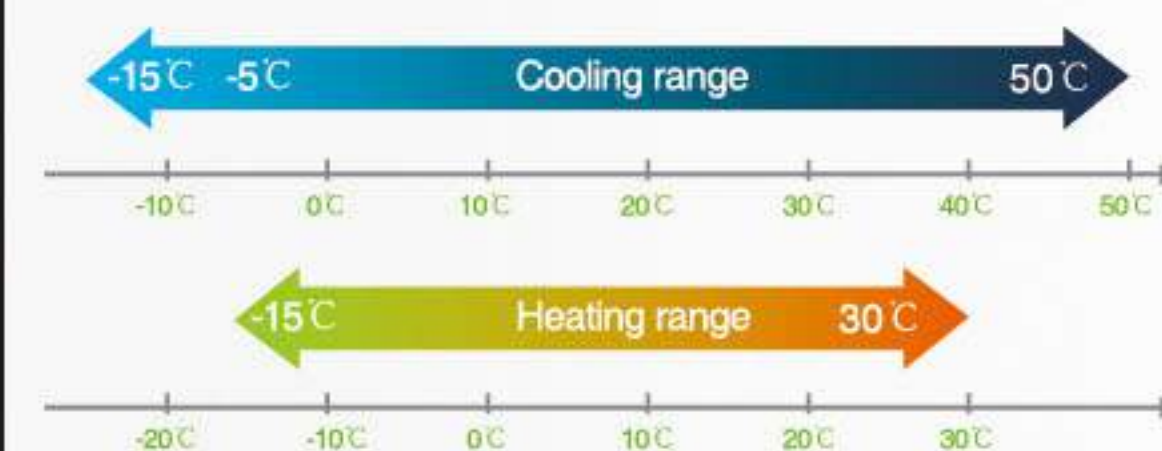
2 For 18-36K famous brand DC motor is standard, lower noise and higher efficiency. For 48/60K, DC motor is optional.



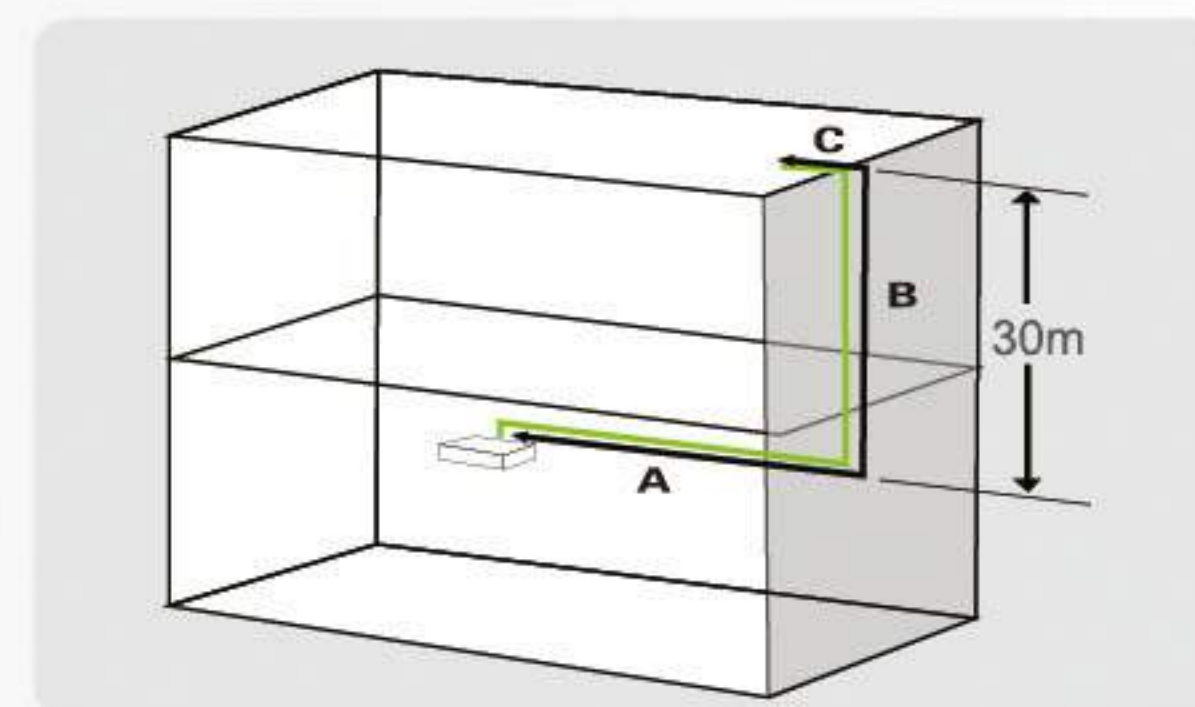
3 Multi protection and auto-restart function.

4 Energy saving and excellent in efficient, SCOP is up to 3.8, reaching European A and A+ class energy label, meets the EU's new energy efficiency requirement. Comply with ErP directive.

5 Wide outdoor operation range, For 36K-60K Btu/h, the cooling operation temperature is down to -15 degree.



6 Long piping design, for 36K-60K Btu/h, the MAX pipe length is 65m, and height difference is 30m.



Specification

R410A Heat Pump

Model		COU-12HDR1	COU-18HDR1	COU-24HDR1	COU-36HDR1	COU-36HZDR1	COU-48HZVR1	COU-60HZVR1	
Power supply		V/Ph/Hz	220-240/1/50	220-240/1/50	220-240/1/50	220-240/1/50	380-415/3/50	380-415/3/50	
Performance									
Cooling	Capacity	Btu/h	12000	18,000	24,000	36,000	36,000	48,000	60,000
		KW	3.5(1.4-3.8)	5.3(2.0-5.6)	7.0(3.5-8.0)	10.5(6.6-12.8)	10.5(6.6-12.8)	14.0(7.15-15.6)	16.0(7.8-17.5)
Heating	Capacity	Btu/h	11260	20,000	26,000	40,000	40,000	52,000	60,000
		KW	3.3(1.6-4.1)	5.9(3.0-6.0)	7.7(4.5-8.5)	11.5(7.35-13.2)	11.5(7.35-13.2)	15.2(8.0-17.2)	17.6(8.5-19.5)
Physical data									
Compressor type			DC/ Twin-rotary	DC/ Twin-rotary	DC/ Twin-rotary	DC/ Twin-rotary	DC/ Twin-rotary	DC/ Twin-rotary	
Motor type			DC	DC	DC	DC	AC/DC	AC/DC	
Air flow		m ³ /h	3800	4000	5000	5800	5800	7200	
Noise level (MAX)	Power level	dB(A)	62	63	67	68	68	70	
	Pressure level		51	52	54	55	55	58	
Net dimension (W*H*D)		mm	880x305x540	925x700x366	958x843x392	1054x944x399	1054x944x399	950x1335x388	
Net weight		kg	41	45	59	80	80	96	
Packing dimension (W*H*D)		mm	990x410x670	990x410x770	1025x880x430	1135x1045x465	1135x1045x465	964x1445x402	
Gross weight		kg	44	49	69	86	85	104	
Refrigerant type / Quantity		g	R410A/1200	R410A/1800	R410A/2400	R410A/3700	R410A/3700	R410A/4100	
Piping data									
Diameter	Liquid side	mm	Φ6.35	Φ6.35	Φ9.52	Φ9.52	Φ9.52	Φ9.52	
	Gas side	mm	Φ12.7	Φ12.7	Φ15.88	Φ15.88	Φ15.88	Φ15.88	
Max pipe length		m	15(30)	15(30)	20(50)	65	65	65	
Max height difference		m	8(20)	8(20)	10(25)	30	30	30	

4-way Cassette Unit



12K Btu/h

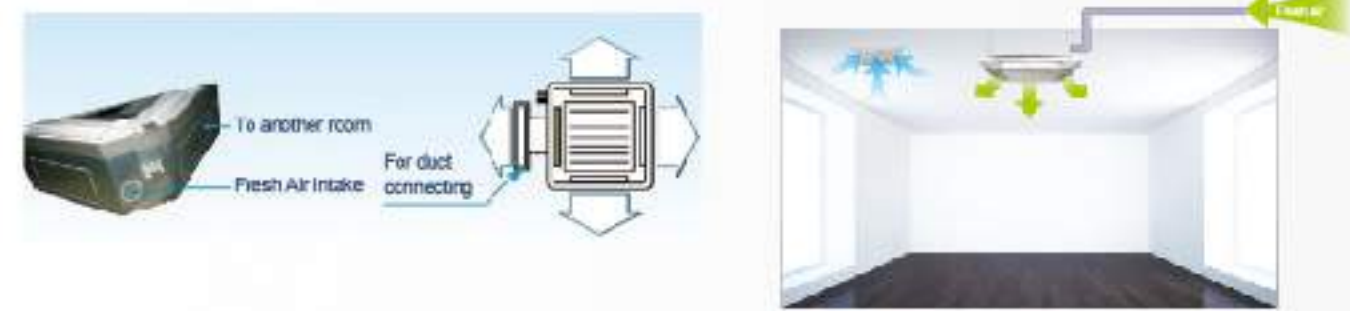


18k~60k Btu/h

Controller		
Standard	Optional	
Wireless	Wireless	Wired

Features

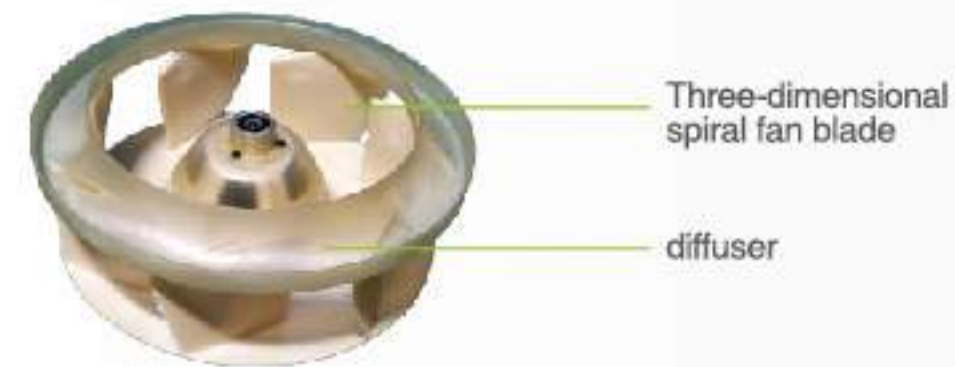
- 1 Four interfaces to connect with duct to another room. Fresh air intake, more healthy and comfortable.



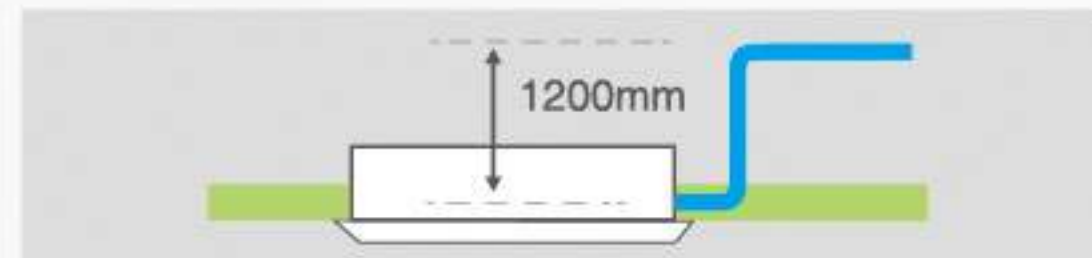
- 2 Digital tube display is optional.



- 3 Streamlined design and 3D spiral fan blade, reduces air resistance and operation noise.



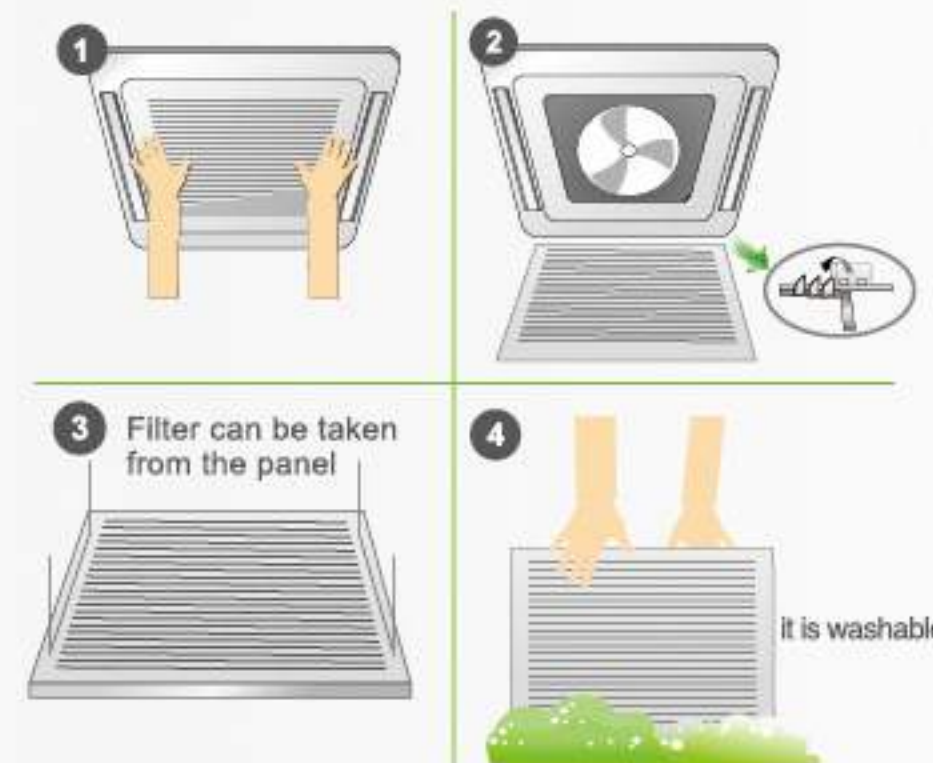
- 4 Built-in water pump, pump head up to 1200mm.



- 5 Cold catalyst filter for optional to absorb small particles to adjust Atmospheric Particulate Matter lower than PM2.5.



- 6 Washable filter, convenient installation and maintenance.



Specification

R410A Heat Pump

Model		CCB-12HVR1	CCA-18HVR1	CCA-24HVR1	CCA-36HVR1	CCA-48HVR1	CCA-60HVR1	
Indoor power supply		V/Ph/Hz	220-240/1/50	220-240/1/50	220-240/1/50	220-240/1/50	220-240/1/50	
Performance								
Cooling	Capacity	Btu/h	12000	18,000	24,000	36,000	48,000	60,000
		KW	3.5(1.4-3.8)	5.3(2.0-5.6)	7.0(3.5-8.0)	10.5(6.6-12.8)	14.0(7.15-15.6)	16.0(7.8-17.5)
	Input	KW	1.06(0.3-1.4)	1.59(0.42-1.84)	2.15(0.6-3.0)	3.27(1.05-4.6)	4.78(1.22-5.58)	5.33(1.9-6.1)
	SEER		6.1	5.6	5.6	5.1	/	/
	EER		3.3	3.33	3.26	3.21	2.93	3.0
Energy class			A++	A+	A+	A	A	A
Heating	Capacity	Btu/h	11260	20,000	26,000	40,000	52,000	60,000
		KW	3.3(1.6-4.1)	5.9(3.0-6.0)	7.7(4.5-8.5)	11.5(7.35-13.2)	15.2(8.0-17.2)	17.6(8.5-19.5)
	Input	KW	0.94(0.35-1.3)	1.43(0.64-1.64)	2.07(1.5-2.6)	3.2(1.1-4.15)	4.23(1.2-5.28)	4.96(2.0-6.5)
	SCOP		4.0	4.0	4.0	4.0	/	/
	COP		3.5	4.12	3.72	3.59	3.59	3.55
Energy class			A+	A+	A+	A+	A	A
Physical data								
Airflow (High speed)		m ³ /h	560	900	1100	1800	1900	1900
Noise level (MAX)	Power level	dB (A)	44-42	46-58	56-63	53-61	56-63	56-63
	Pressure level		32-40	36-45	43-49	43-48	45-52	45-52
Net dimension (W*H*D)	Body	mm	565x267x565	840x230x840	840x230x840	840x285x840	840x285x840	840x285x840
	Panel	mm	650x30x650	950x50x950	950x50x950	950x50x950	950x50x950	950x50x950
Net weight	Body	kg	16.5	25	25	30.5	30.5	30.5
	Panel	kg	2.7	5.4	5.4	5.4	5.4	5.4
Packing dimension (W*H*D)	Body	mm	745x375x675	920x265x920	920x265x920	920x310x920	920x310x920	920x310x920
	Panel	mm	750x95x750	1030x105x1030	1030x105x1030	1030x105x1030	1030x105x1030	1030x105x1030
Gross weight	Body	kg	21.5	30	30	36	36	36
	Panel	kg	4.0	8.0	8.0	8.0	8.0	8.0
Piping data								
Diameter	Liquid side	mm	Φ6.35	Φ6.35	Φ9.52	Φ9.52	Φ9.52	Φ9.52
	Gas side	mm	Φ12.7	Φ12.7	Φ15.88	Φ15.88	Φ15.88	Φ15.88
Drain pipe		mm	DN25	DN25	DN25	DN25	DN25	DN25



Floor & Ceiling Unit



18K~60K Btu/h

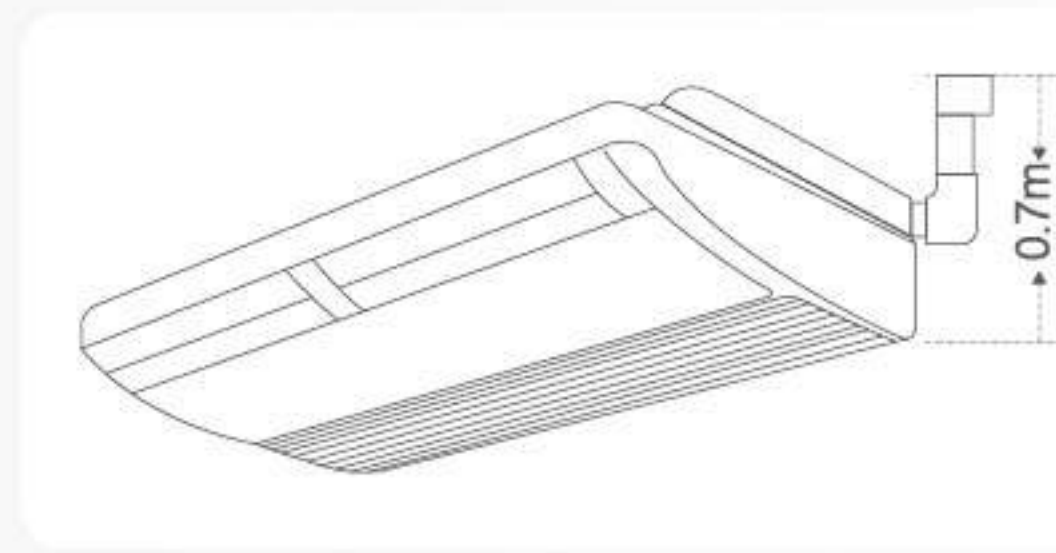
Controller		
Standard	Optional	
Wireless	Wireless	Wired

Features:

- 1 Flexible installation, ceiling suspended and floor standing.



- 4 Additional water pump is optional, the pumping head is up to 700mm.



- 2 DC motor is standard for 18~36K, operating stably and precisely control for temperature.



- 5 Digital display is optional, in the middle or on the right side. It is more intuitive and simple, and error code can be shown in the display.



- 3 Auto-swing function, built-in two louver motor, vertical and horizontal air-flow adjustment.



- 6 New upper and lower buckle type wheel case, the upper wheel case can be removed alone, which is convenient adjust the wheel motor.



Specification

R410A Heat Pump

Model		CUA-18HVR1	CUA-24HVR1	CUA-36HVR1	CUA-48HVR1	CUA-60HVR1	
Indoor power supply		V/Ph/Hz	220~240/1/50	220~240/1/50	220~240/1/50	220~240/1/50	
Performance							
Cooling	Capacity	Btu/h	18,000	24,000	36,000	48,000	60,000
		KW	5.3(2.0-5.6)	7.0(3.5-8.0)	10.5(6.6-12.8)	14.0(7.15-15.6)	16.0(7.8-17.5)
	Input	KW	1.6(0.42-1.84)	2.15(0.6-3.0)	3.27(1.05-4.6)	4.86(1.22-5.58)	5.43(1.9-6.1)
	SEER		5.6	5.6	5.6	/	/
	EER		3.31	3.26	3.21	2.88	2.95
Energy class			A+	A+	A+	A	A
Heating	Capacity	Btu/h	20,000	26,000	40,000	52,000	60,000
		KW	5.9(3.0-6.0)	7.7(4.5-8.5)	11.5(7.35-13.2)	15.2(8.0-17.2)	17.6(8.5-19.5)
	Input	KW	1.39(0.64-1.64)	2.0(1.5-2.6)	3.05(1.1-4.15)	4.31(1.2-5.28)	5.06(2.0-6.5)
	SCOP		4.0	4.0	4.0	/	/
	COP		4.24	3.85	3.77	3.53	3.48
Energy class			A+	A+	A+	A	A
Physical data							
Airflow (High speed)		m ³ /h	900	1150	1800	2000	2000
Noise level (MAX)	Power level	dB (A)	46-58	53-60	56-65	56-67	57-67
	Pressure level		36-47	43-49	45-51	45-52	46-52
Net dimension (W*H*D)		mm	1245×680×240	1245×680×240	1245×680×240	1670×680×240	1670×680×240
Net weight		kg	34	35	35	50	50
Packing dimension (W*H*D)		mm	1325×770×325	1325×770×325	1325×770×325	1750×765×330	1750×765×330
Gross weight		kg	40	41	41	57	57
Piping data							
Diameter	Liquid side	mm	Φ6.35	Φ9.52	Φ9.52	Φ9.52	Φ9.52
	Gas side	mm	Φ12.7	Φ15.88	Φ15.88	Φ15.88	Φ15.88
Drain pipe		mm	DN25	DN25	DN25	DN25	DN25



Low ESP Short Ducted Unit

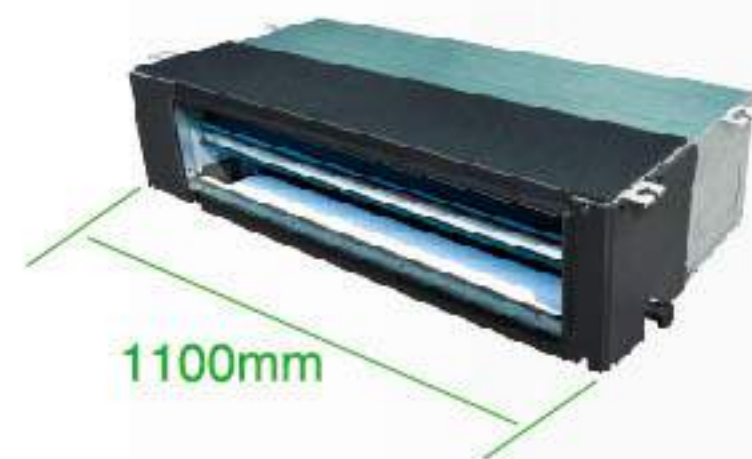


12K-24K Btu/h

Controller		
Standard	Optional	
Wireless	Wireless	Wired

Features:

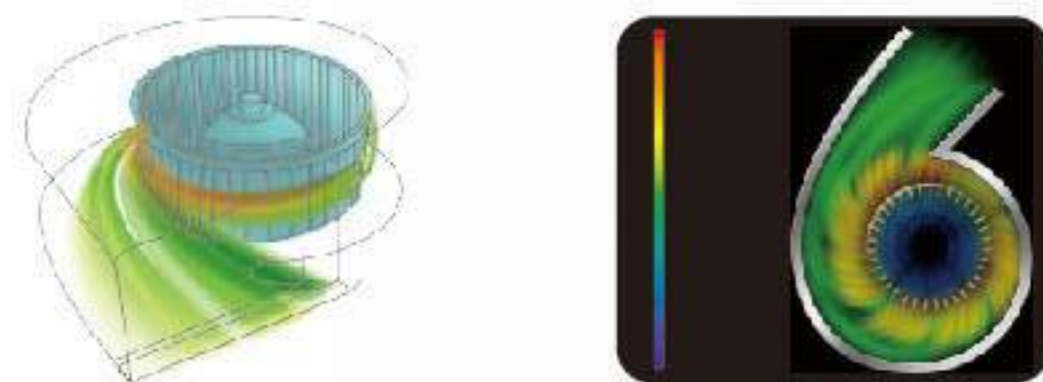
- 1 Short body, 1100mm length, easy to install, low noise and light weight, suitable for hotel room.



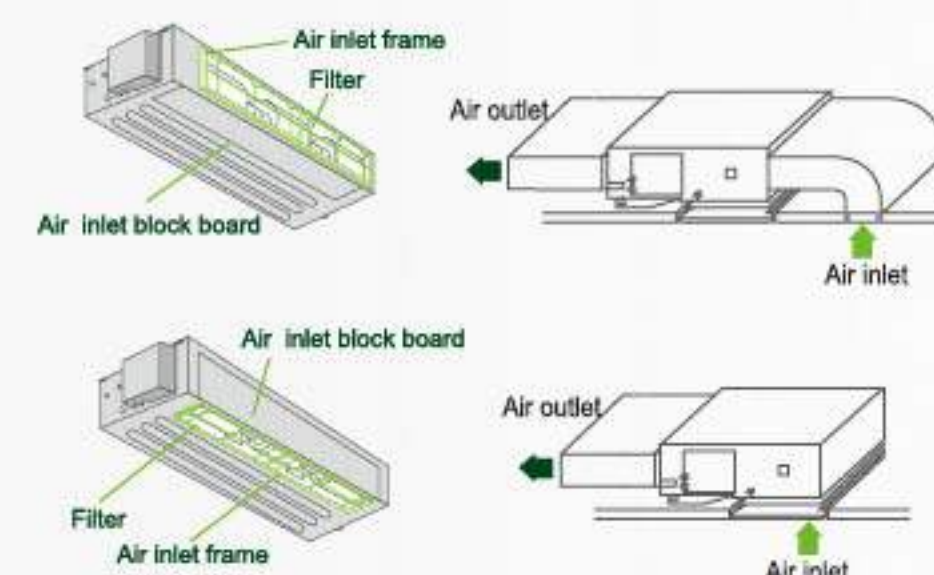
- 2 V shaped evaporator design, increasing the heating exchanger efficiency.



- 3 Adopting aviation centrifugal fan blade with special air tunnel design, as well as fan motor anti-vibration measure, benefit to increase air flow and decrease the noise.



- 4 Air return method is optional by actual installation, from rear or from bottom.



- 5 DC motor is standard, operating stably, lower energy consumption and high efficiency.



- 6 Water pump is optional, pump head is up to 750mm.

Specification

R410A Heat Pump

Model			CTA-12HVR1	CTA-18HVR1	CTA-24HVR1
Indoor power supply		V/Ph/Hz	220-240/1/50	220-240/1/50	220-240/1/50
Performance					
Cooling	Capacity	Btu/h	12000	18,000	24,000
		KW	3.5(1.4-3.8)	5.3(2.0-5.6)	7.0(3.5-8.0)
	Input	KW	1.06(0.3-1.4)	1.59(0.42-1.84)	2.14(0.6-3.0)
	SEER		6.1	5.5	5.5
	EER		3.3	3.33	3.27
Energy class			A++	A	A
Heating	Capacity	Btu/h	11260	20,000	26,000
		KW	3.3(1.6-4.1)	5.9(3.0-6.0)	7.7(4.5-8.5)
	Input	KW	0.94(0.35-1.3)	1.4(0.64-1.64)	2.06(1.5-2.6)
	SCOP		4.0	3.8	3.8
	COP		3.5	4.21	3.74
Energy class			A+	A	A
Physical data					
Airflow (High speed)		m ³ /h	600	800	1050
Stastic pressure		Pa	0-30	0-30	0-30
Noise level (MAX)	Power level	dB (A)	42-52	46-58	56-63
	Pressure level		31-40	36-45	43-47
Net dimension (W*H*D)		mm	814x467x210	1100x467x210	1100x467x210
Net weight		kg	16	22.5	25
Packing dimension (W*H*D)		mm	910x510x240	1310x510x240	1310x510x240
Gross weight		kg	19	25.5	28
Piping data					
Diameter	Liquid side	mm	Φ6.35	Φ6.35	Φ9.52
	Gas side	mm	Φ12.7	Φ12.7	Φ15.88
Drain pipe		mm	DN25	DN25	DN25



Medium ESP Ducted Unit



36K-60K Btu/h

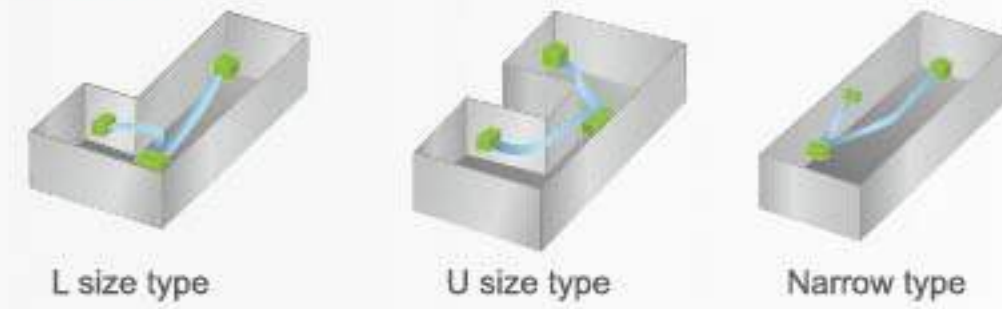
Controller		
Standard	Optional	
Wired	Wired	Wireless
		

Features:

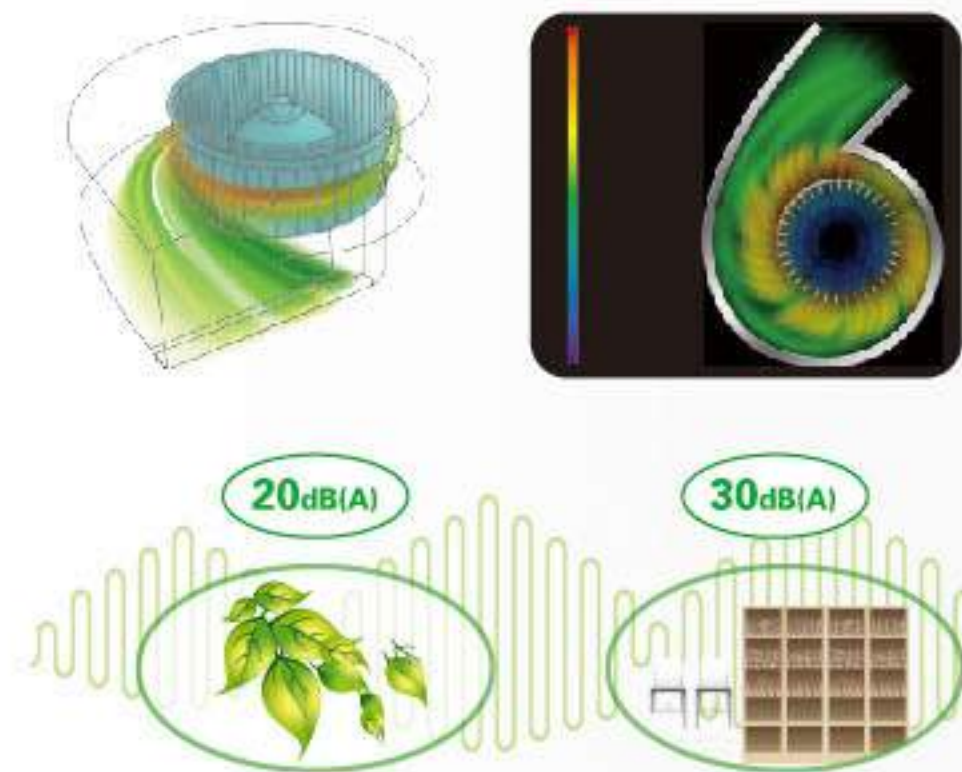
- 1 Adopting aviation centrifugal fan blade with special air tunnel design, as well as fan motor anti-vibration measure, benefit to increase air flow and decrease the noise.



- 2 50Pa ESP design for the medium static pressure duct type, duct connected installation meet for different room structure (Can be customized to 70Pa ESP)



- 3 Adopting aviation centrifugal fan blade with special air tunnel design, as well as fan motor anti-vibration measure, benefit to increase air flow and decrease the noise.



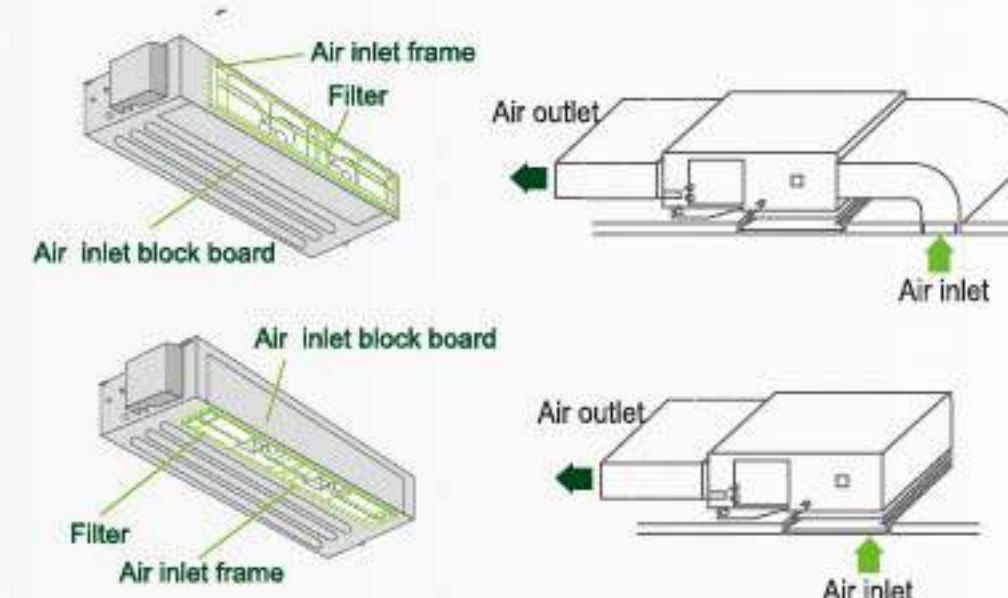
- 4 World famous brand DC motor is stand and for 36KBtu/h unit. It is optional for 48-60K Btu/h. Save energy and control the room temperature more precisely.



- 5 Body-side is E-box, convenient installation and maintenance.



- 6 Air return method is optional by actual installation, from rear or from bottom.



Specification

R410A Heat Pump



Model		CTB-36HVR1	CTB-48HVR1	CTB-60HVR1	
Indoor power supply		V/Ph/Hz	220-240/1/50	220-240/1/50	
Performance					
Cooling	Capacity	Btu/h	36,000	48,000	60,000
		KW	10.5(6.6-12.8)	14.0(7.15-15.6)	16.0(7.8-17.5)
	Input	KW	3.27(1.05-4.6)	4.94(1.22-5.58)	5.49(1.9-6.1)
	SEER		5.1	/	/
	EER		3.21	2.83	2.91
Energy class			A	A	A
Heating	Capacity	Btu/h	40,000	52,000	60,000
		KW	11.5(7.35-13.2)	15.2(8.0-17.2)	17.6(8.5-19.5)
	Input	KW	3.1(1.1-4.15)	4.39(1.2-5.28)	5.12(2.0-6.5)
	SCOP		3.8	/	/
	COP		3.71	3.46	3.44
Energy class			A	A	A
Physical data					
Airflow (High speed)		m³/h	1800	2000	2000
Stastic pressure		Pa	50	50	50
Noise level (MAX)	Power level	dB (A)	55-63	55-65	55-65
	Pressure level		42-48	40-52	40-52
Net dimension (W*H*D)		mm	1425x260x643	1425x260x643	1425x260x643
Net weight		kg	46	45	45
Packing dimension (W*H*D)		mm	1490x325x720	1490x325x720	1490x325x720
Gross weight		kg	50	50	50
Piping data					
Diameter	Liquid side	mm	Φ9.52	Φ9.52	Φ9.52
	Gas side	mm	Φ15.88	Φ15.88	Φ15.88
Drain pipe		mm	DN25	DN25	DN25



High ESP Ducted Type Unit

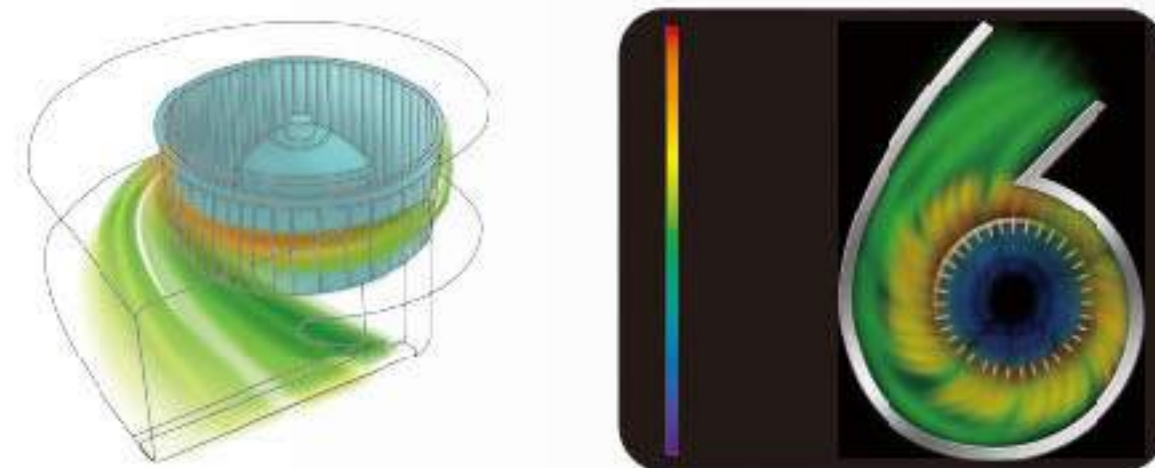


48k~60k Btu/h

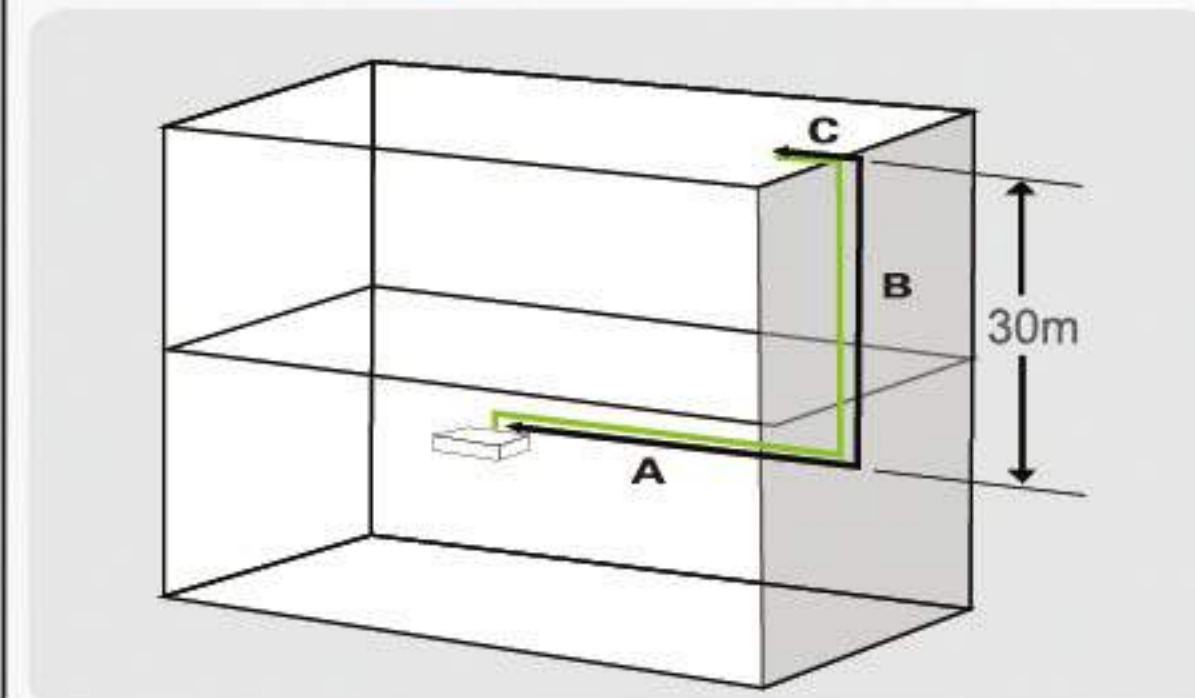
Controller		
Standard	Optional	
Wired	Wired	Wireless
		

Features:

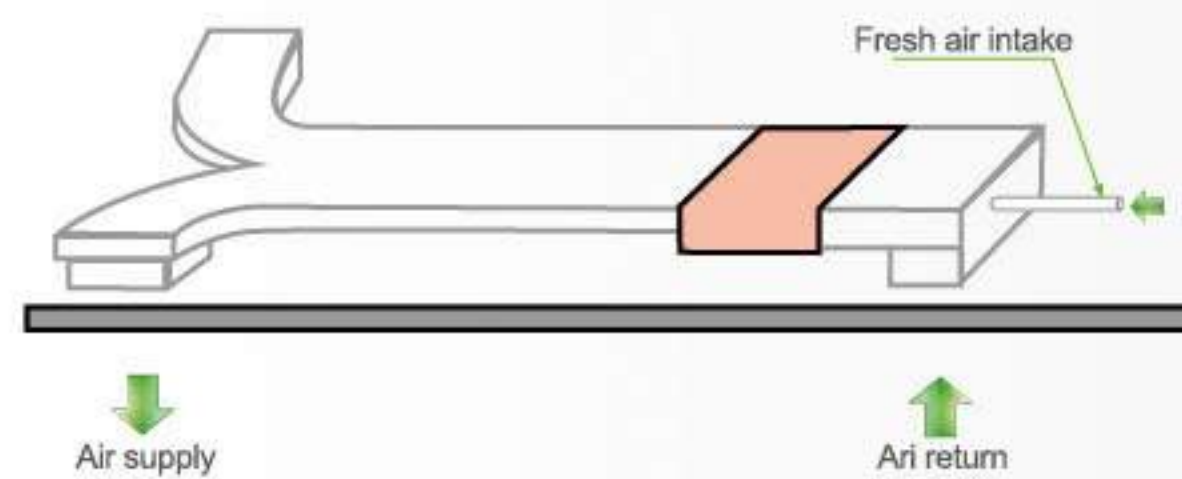
1 Centrifugal fan, low noise and big airflow.



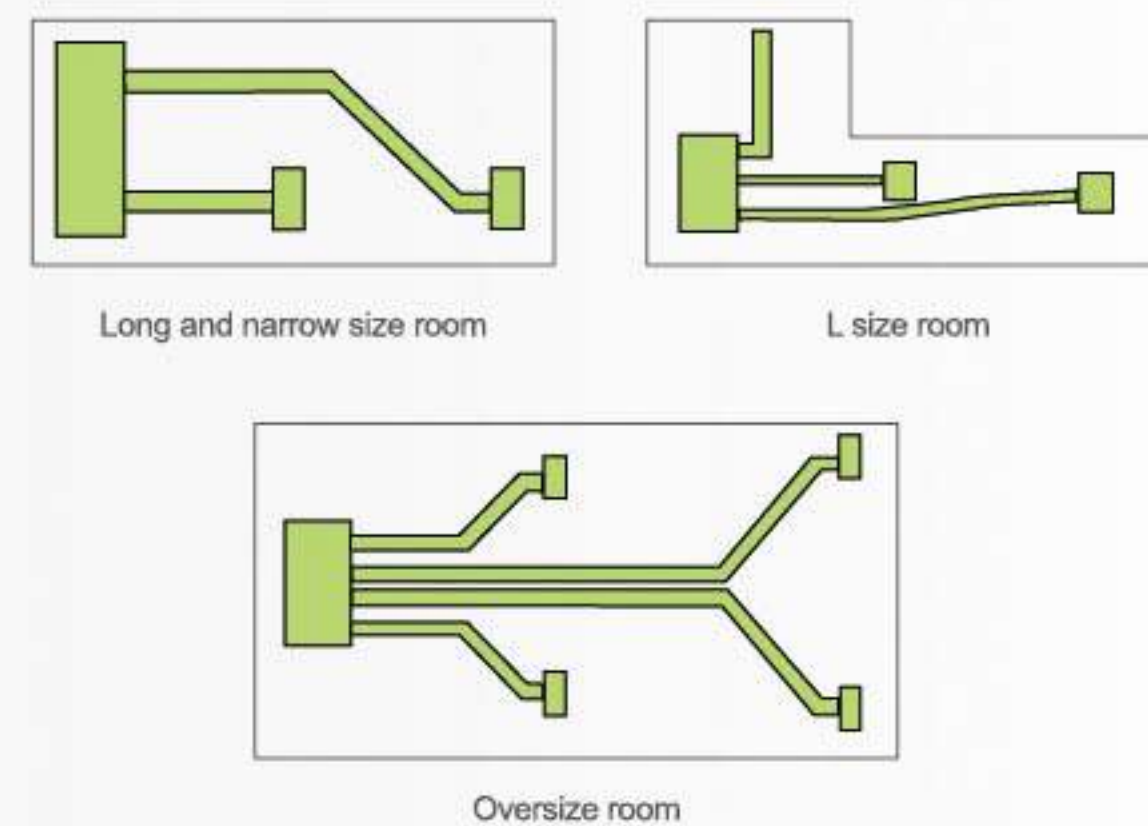
3 Max. refrigerant pipe length is 65m, Max. difference in height is 30m.



2 Install a duct to outside in the air return side, realize the fresh air intake and keep room air fresh.



4 120Pa ESP is standard, it is suitable for long distance air supply and flexible air duct installation. Specially for different irregular size room.



Specification

R410A Heat Pump



Model		CTH-48HVR1	CTH-60HVR1
Indoor power supply		220~240/1/50	220~240/1/50
Performance			
Cooling	Capacity	Btu/h	48,000
		KW	14.0(7.15-15.6)
	Input	KW	5.1(1.22-5.58)
	SEER		/
	EER		2.75
Energy class		A	A
Heating	Capacity	Btu/h	52,000
		KW	15.2(8.0-17.2)
	Input	KW	4.55(1.2-5.28)
	SCOP		/
	COP		3.34
Energy class		A	A
Physical data			
Airflow (High speed)	m³/h	2300	2300
Stastic pressure	Pa	120	120
Noise level (MAX)	Power level	dB (A)	56-66
	Pressure level		44-52
Net dimension (W*H*D)	mm	1175x370x625	1175x370x625
Net weight	kg	47	47
Packing dimension (W*H*D)	mm	1245x445x655	1245x445x655
Gross weight	kg	51	51
Piping data			
Diameter	Liquid side	mm	Φ9.52
	Gas side	mm	Φ15.88
Drain pipe	mm	DN25	DN25



DC Inverter Multi Split Unit



Dual split(16k/18k Btu/h)

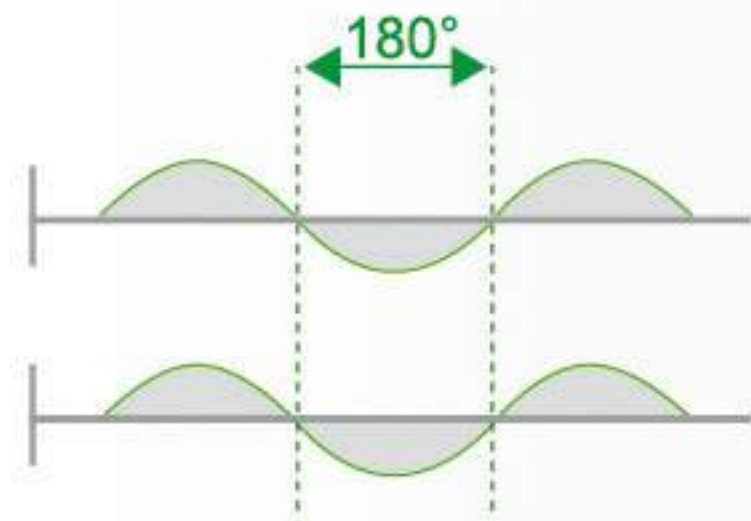
Triple split(21k/27k Btu/h)

Fourfold split(28k/36k Btu/h)

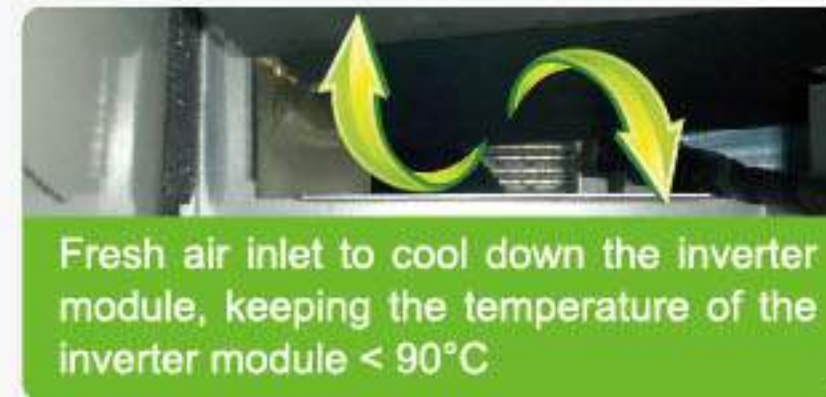
Fivefold split(42k Btu/h)

Features:

- 1 180° sin wave compressor control, higher efficiency and lower power consumption and noise.



- 3 Japanese electronic ship and new design for E-box, easy to heat elimination.



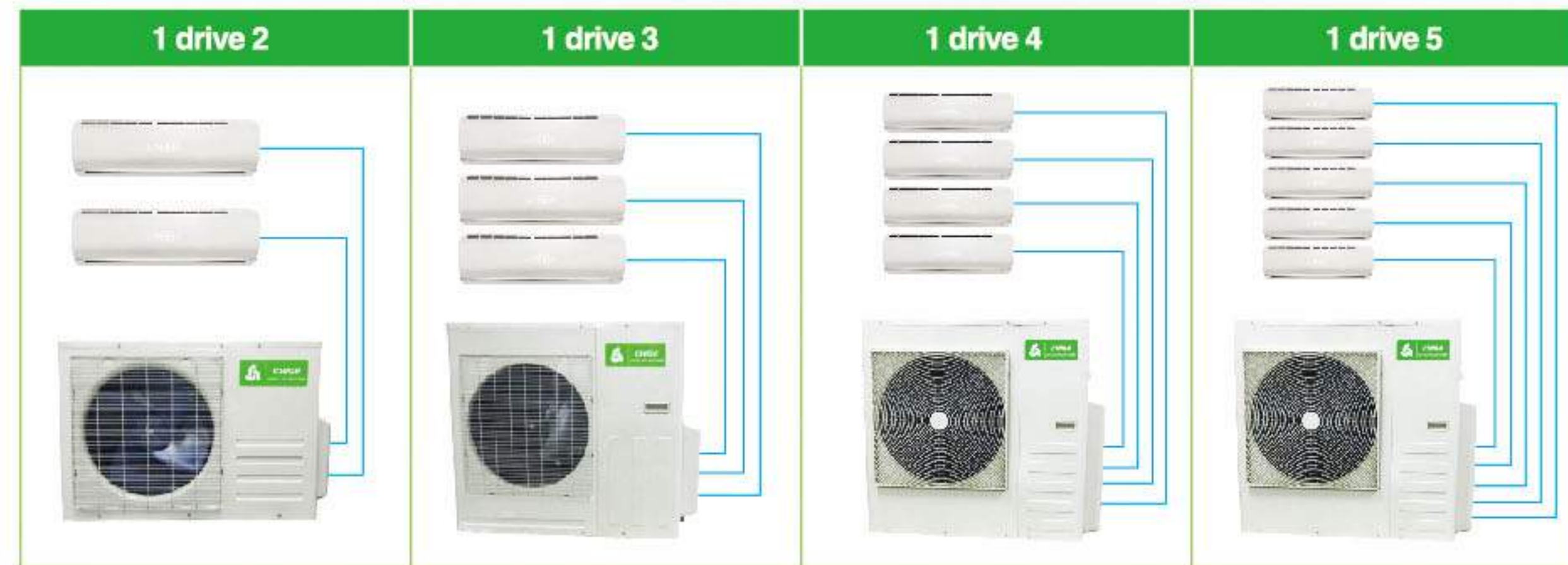
- 2 Wide operating range: cooling: 10-46°C, heating: -15-24°C



- 4 Anti-rust design, making electronic parts longer service life.



- 5 Matching mode



Specification

R410A Multi Split Outdoor Unit

ODU		C2OU-16HDR1-A	C2OU-18HDR1-A	C3OU-21HDR1-A	C3OU-27HDR1-A	
IDU combination	KBtu/h	7+7 7+9	9+9 9+12	7+7+7 7+9+9 18+7	9+9+9 12+9+9 18+9	
Power supply	V/ph/Hz	220-240/1/50	220-240/1/50	220-240/1/50	220-240/1/50	
Capacity						
Cooling	Capacity	Btu/h	7000-16000	7000-18000	7000-21000	7000-27000
	Input	W	1450	1650	1850	2472
	Rated current	A	6.5	7.3	8.2	10.9
	EER	W/W	3.24	3.2	3.3	3.2
	SEER	W/W	6.4	6.4	6.4	6.1
Heating	Capacity	Btu/h	8000-18000	8000-20000	8000-23000	8000-29000
	Input	W	1420	1640	1820	2350
	Rated current	A	6.4	7.2	8.1	10.4
	COP	W/W	3.65	3.6	3.7	3.6
	SCOP	W/W	4.2	4.1	4	4
Physical data						
Noise	dB(A)	54	54	55	55	
Net dimension(W×H×D)	mm	944×608×345	944×608×345	989×843×392	989×843×392	
Packing dimension(W×H×D)	mm	995×680×415	995×680×415	1030×960×435	1030×960×435	
Net/Gross weight	kg	41/44	41/44	57/67	62/72	
Piping data						
Liquid side/Gas side	mm	2×(6.35/9.52)	2×(6.35/9.52)	3×(6.35/9.52)	3×(6.35/9.52)	
Max. pipe length	m	15	15	15	15	
Max. height difference	m	10	10	10	10	
Ambient temperature	°C	-15~48	-15~48	-15~48	-15~48	
Application area	m ²	26~30	26~30	26~30	26~30	
Stuffing quantity	40' HQ	192	192	124	124	

ODU		C4OU-28HDR1-A	C4OU-36HDR1-A	C5OU-42HDR1-A	
IDU combination	KBtu/h	7+7+7+7 12+12+9 18+12 24+7	9+9+9+9 12+12+12 18+18 24+12	9+9+9+9+9 12+12+12+9 18+12+12 24+18	
Power supply	V/ph/Hz	220-240/1/50	220-240/1/50	380~415/3/50	
Capacity					
Cooling	Capacity	Btu/h	7000-28000	7000-36000	7000-42000
	Input	W	2520	3400	4000
	Rated current	A	11.2	15.2	18
	EER	W/W	3.25	3.1	3.05
	SEER	W/W	6.2	6	6
Heating	Capacity	Btu/h	8000-30000	8000-38000	8000-44000
	Input	W	2450	3080	3650
	Rated current	A	10.7	13.8	15.9
	COP	W/W	3.63	3.6	3.55
	SCOP	W/W	4	4	4
Physical data					
Noise	dB(A)	62	65	65	
Net dimension(W×H×D)	mm	1090×997×399	1090×997×399	1090×997×399	
Packing dimension(W×H×D)	mm	1150×1120×470	1150×1120×470	1150×1120×470	
Net/Gross weight	kg	87/98.5	91/102.5	91/102.5	
Piping data					
Liquid side/Gas side	mm	4×(6.35/9.52)	4×(6.35/9.52)	5×(6.35/9.52)	
Max. pipe length	m	15	15	15	
Max. height difference	m	10	10	10	
Ambient temperature	°C	-15~48	-15~48	-15~48	
Application area	m ²	26~30	26~30	26~30	
Stuffing quantity	40' HQ	104	104	104	

Multi Split Indoor Unit

Wall Mounted Type

Combination		9+7	7+7+7	7+7+7+7	9+9	9+9+9	9+9+9+9
Cooling	Btu/h	16000	21000	28000	18000	27000	36000
	kW	4.7	6.2	8.2	5.3	7.9	10.5
Heating	Btu/h	18000	23000	30000	20000	29000	38000
	kW	5.3	6.7	8.8	5.9	8.5	11.1
SEER(A)		6.4	6.3	6.2	6.2	6.1	6
Energy level		A++	A++	A++	A++	A++	A++
SCOP(A)		4.2	4	4	4.1	4	4
Energy level		A+	A+	A+	A+	A+	A+
Tbiv		-10	-10	-10	-10	-10	-10
Tol		-15	-15	-15	-15	-15	-15

Wall mounted IDU		CSG-07HVR1-A	CSG-09HVR1-A	CSG-12HVR1-A	CSG-18HVR1-A	CSG-24HVR1-A	
Power supply	V/ph/Hz	220~240/1/50	220~240/1/50	220~240/1/50	220~240/1/50	220~240/1/50	
Capacity							
Cooling	Capacity	Btu/h	7000	9000	12000	18000	24000
	Input	W	40	40	40	60	66
	Rated current	A	0.2	0.2	0.2	0.27	0.3
Heating	Capacity	Btu/h	8000	10000	13000	19000	25000
	Input	W	40	40	40	60	66
	Rated current	A	0.2	0.2	0.2	0.27	0.3
Physical data							
Indoor air flow(Hi/Mi/Lo)	m³/h	400/350/320	500/400/320	550/400/330	750/580/500	1000/900/700	
Indoor noise level(Hi/Mi/Lo)	dB(A)	30/27/24	33/28/24	36/30/25	44/40/36	45/42/38	
Sound power noise level(Hi)	dB(A)	47	47	50	58	60	
Net dimension(W×H×D)	mm	878×290×227	878×290×227	878×290×227	953×347×270	1180×362×288	
packing dimension(W×H×D)	mm	950×365×300	950×365×300	950×365×300	1075×380×310	1235×390×330	
Net/Gross weight	kg	8.5/11	8.5/11	8.5/11	10.5/13.5	13.5/16.5	
Piping data							
Liquid/Gas	mm	6.35/9.52	6.35/9.52	6.35/9.52	6.35/12.7	9.52/15.88	
Drainage pipe	mm	DN20	DN20	DN20	DN20	DN20	
Application area	m²	10~15	12~18	16~23	23~34	34~51	

Cassette Type

Combination		9+7	7+7+7	7+7+7+7	9+9	9+9+9	9+9+9+9
Cooling	Btu/h	16000	21000	28000	18000	27000	36000
	kW	4.7	6.2	8.2	5.3	7.9	10.5
Heating	Btu/h	18000	23000	30000	20000	29000	38000
	kW	5.3	6.7	8.8	5.9	8.5	11.1
SEER(A)		6.4	6.4	6.4	6.2	6.1	6.4
Energy level		A++	A++	A++	A++	A++	A++
SCOP(A)		4.2	4	4	4.1	4	4
Energy level		A+	A+	A+	A+	A+	A+
Tbiv		-10	-10	-10	-10	-10	-10
Tol		-15	-15	-15	-15	-15	-15

CASSETTE IDU		CSC-07HVR1-A	CSC-09HVR1-A	CSC-12HVR1-A	CSC-18HVR1-A	
Power supply	V/ph/Hz	220~240/1/50	220~240/1/50	220~240/1/50	220~240/1/50	
Capacity						
Cooling	Capacity	Btu/h	7000	9000	12000	18000
	Input	W	25	25	26	34
	Rated current	A	0.12	0.12	0.12	0.16
Heating	Capacity	Btu/h	8000	10000	13000	19000
	Input	W	25	25	26	34
	Rated current	A	0.12	0.12	0.12	0.16
Physical data						
Indoor air flow(Hi/Mi/Lo)	m³/h	540/490/410	540/490/410	690/610/520	790/710/610	
Indoor noise(Hi/Mi/Lo)	dB(A)	39/36/33	39/36/33	40/37/34	44/41/38	
Sound power noise level(Hi)	dB(A)	50	50	54	55	
Net dimension(W×H×D)	mm	565×267×565	565×267×565	565×267×565	565×267×565	
packing dimension(W×H×D)	mm	745×375×675	745×375×675	745×375×675	745×375×675	
Net/Gross weight	kg	16.5/22	16.5/22	16.5/22	16.5/22	
Piping data						
Liquid/Gas	mm	6.35/9.52	6.35/9.52	6.35/9.52	6.35/12.7	
Drainage pipe	mm	DN25	DN25	DN25	DN25	
Application area	m²	10~15	12~18	16~23	23~34	

Short Duct Type

Combination		9+7	7+7+7	7+7+7+7	9+9	9+9+9	9+9+9+9
Cooling	Btu/h	16000	21000	28000	18000	27000	36000
	kW	4.7	6.2	8.2	5.3	7.9	10.5
Heating	Btu/h	18000	23000	30000	20000	29000	38000
	kW	5.3	6.7	8.8	5.9	8.5	11.1
SEER(A)		6.4	6.4	6.4	6.2	6.1	6.4
Energy level		A++	A++	A++	A++	A++	A++
SCOP(A)		4.2	4	4	4.1	4	4
Energy level		A+	A+	A+	A+	A+	A+
Tbiv		-10	-10	-10	-10	-10	-10
Tol		-15	-15	-15	-15	-15	-15

DUCTED IDU		CST-07HVR1-A	CST-09HVR1-A	CST-12HVR1-A	CST-18HVR1-A	
Power supply	V/ph/Hz	220~240/1/50	220~240/1/50	220~240/1/50	220~240/1/50	
Capacity						
Cooling	Capacity	Btu/h	7000	9000	12000	18000
	Input	W	20	20	30	45
	Rated current	A	0.1	0.1	0.15	0.2
Heating	Capacity	Btu/h	8000	10000	13000	19000
	Input	W	20	20	30	45
	Rated current	A	0.1	0.1	0.15	0.2
Physical data						
Indoor air flow(Hi/Mi/Lo)	m³/h	550/410/340	550/410/340	680/580/450	800/700/600	
Indoor noise(Hi/Mi/Lo)	dB(A)	30/26/23	30/26/23	36/31/27	32/30/26	
Sound power noise level(Hi)	dB(A)	47	47	52	48	
Net dimension(W×H×D)	mm	814×210×467	814×210×467	814×210×467	1010×210×467	
packing dimension(W×H×D)	mm	910×240×510	910×240×510	910×240×510	1110×240×510	
Net/Gross weight	kg	17/19.5	17/19.5	17/19.5	20.5/24	
Piping data						
Liquid/Gas	mm	6.35/9.52	6.35/9.52	6.35/9.52	6.35/12.7	
Drainage pipe	mm	DN25	DN25	DN25	DN25	
Application area	m²	10~15	12~18	16~23	23~34	

Rooftop Package Unit



20/25 TR

Controller	
Standard	Optional
Wired	Wired
	

1 High efficiency: World famous Scroll compressor with quick reactivity and operation stable. Compressor staging is controlled directly by the control temperature, high EER.



- 2 Fresh air inlet is available.
- 3 Flexible installation, whether on rooftop or ground. Anywhere removable as requirement without fixed.
- 4 Provide easy access to system components for maintenance and service.

Specification

R410A

Model type		CRB-200CZR1-W	CRB-200HZR1-W	CRB-250CZR1-W	CRB-250HZR1-W
Capacity	Cooling(Btu/h)	240000	240000	300000	300000
	Heating(Btu/h)	/	256000	/	314000
	EER	10.2	10.2	10.2	10.2
Dimensions	L*W*H	2750x2157x1245	2750x2157x1245	2750x2157x1245	2750x2157x1245
	Net weight: KG	950	950	980	980
	Refrigerant type	R410A	R410A	R410A	R410A
Compressor	Quantity/Type	2/Scroll	2/Scroll	2/Scroll	2/Scroll
	Quantity used/Diameter(mm)	2/750	2/750	2/800	2/800
Outdoor fan	Type	Propeller	Propeller	Propeller	Propeller
	Drive type	Direct	Direct	Direct	Direct
	Quantity speeds	1	1	1	1
	Quantity motors/Power(kW)	2/1.1	2/1.1	2/1.5	2/1.5
	Motor RPM	835	835	1130	1130
	Total nominal CFM	14000	14000	16765	16765
	Quantity used/Diameter(mm)	1/18*18	1/18*18	1/18*18	1/18*18
Indoor fan	Type	FC centrifugal	FC centrifugal	FC centrifugal	FC centrifugal
	Drive type	Belt	Belt	Belt	Belt
	Quantity speeds	Variable sheave	Variable sheave	Variable sheave	Variable sheave
	Quantity motors/Power(kW)	1/5.5	1/5.5	1/7.5	1/7.5
	Motor RPM	1670	1670	1670	1670
	Total nominal CFM	7800	7800	10200	10200
	Quantity size recommended(mm)	(1)1916*977*12.5	(1)1916*977*12.5	(1)1916*977*12.5	(1)1916*977*12.5

Wireless controller

- A: Wireless 8m transmission
- B: 5 Operation modes: Auto, Cooling, Dehumidification, Heating, Fan
- C: Timer ON/OFF setting up to 24Hr
- D: Temperature control range 16-32 C
- E: Three fan speed selection
- F: Sleep mode function



Wired controller

- A: LCD display
- B: 5/8/10 m wire length
- C: 5 Operation modes: Auto, Cool, Dehumidification, Heat, Fan
- D: Timer ON/OFF setting up to 24Hr
- E: Temperature control range 16-32 C
- F: Three fan speed selection



Central controller

Additional PCB installed in indoor part for optional, which can realize remote ON/OFF and group control. One group controller can connect max 64 systems.

